

The PROFIBUS devices have been particularly dimensioned for the industrial requirements of hazardous areas of zone 1. They are used for the separation or generation of new segments, converting the RS485 typical line structure into an open and flexible tree structure. Downstream stations can be coupled to and de-coupled from the superior bus system in a non-reactive and break/short-circuit tolerant manner, even during running bus operation. The devices facilitate a duplication of the signal to realize a redundant connection to a master. The devices are available as PROFIBUS-DP and as PROFIBUS-IS (intrinsically safe).

Explosion protection Ex e

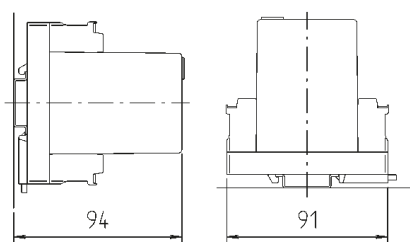
Marking ATEX	Ⓔ II 2(1)G Ex db e IIC Gb Ⓔ I M2 Ex db e I Mb
Certification	PTB 97 ATEX 1068 U
Marking IECEx	Ex db e IIC Gb Ex db e I Mb
Certification	IECEx PTB 11.0083U
Marking CSA	Class I Zone 1 IIC A/Ex d e IIC Gb
Certification	CSA 2011-2484303U

Explosion protection Ex i

Marking ATEX	Ⓔ II 2(1)G Ex db e [ib] IIC Gb Ⓔ I M2 Ex db e [ib] I Mb
Certification	PTB 97 ATEX 1068 U
Marking IECEx	Ex db e [ib] IIC Gb Ex db e [ib] I Mb
Certification	IECEx PTB 11.0083U
Marking CSA	Class I Zone 1 IIC A/Ex d e [ib] IIC Gb
Certification	CSA 2011-2484303U
Installation	Type 17-6583-.3.. Ⓔ II (2) G [Ex ib Gb] IIC Ⓔ II (2) D [Ex ib Db] IIIC IBExU05ATEX1074 IECEx IBE 12.0021

Other approvals and certificates, see www.bartec.de

Dimensions/mounting positions



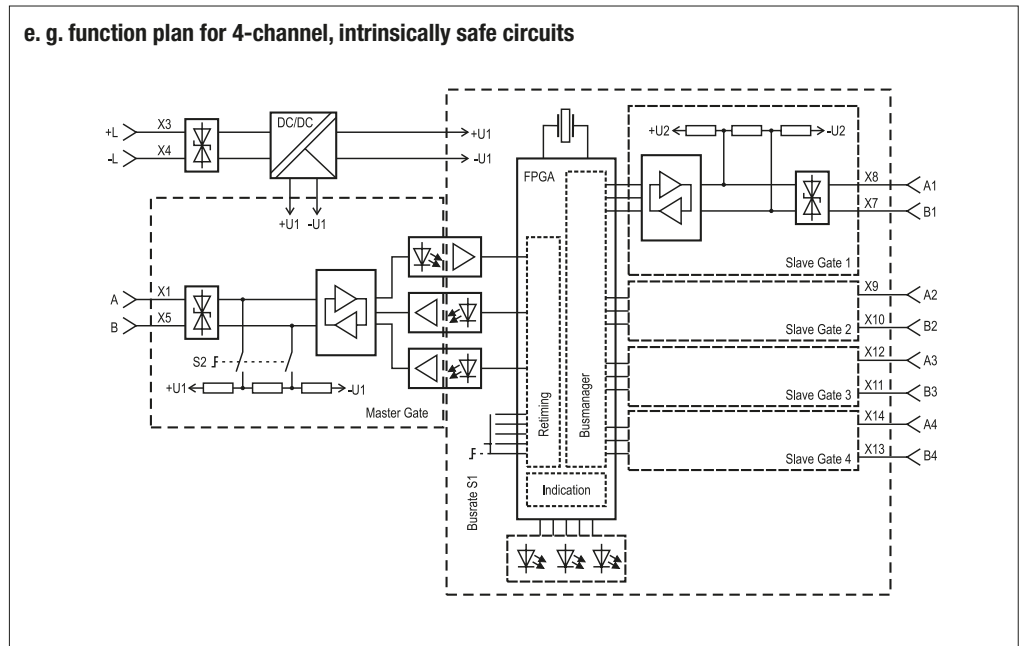
Module width: 30 mm/75 mm

Technical data

Construction	Flameproof, clip-on enclosure for TH 35
Enclosure material	High-quality thermoplastics
Protection class	Electronic assembly IP 66 EN/IEC 60529 Terminals IP 20 EN/IEC 60529 Terminals with cover IP 30 EN/IEC 60529
Terminals	2.5 mm ² , fine stranded
Device designation	written marking labels
Displays	LED green Operational readiness LED green/yellow Bus activity
Storage temperature	-25 °C to +70 °C
Ambient temperature	-25 °C to +60 °C at T4
Weight	Module width 30 mm: 180 g Module width 75 mm: 250 g
Dimensions (H x W x D)	94 mm x 30 mm x 91 mm 94 mm x 75 mm x 91 mm

Electrical data

Supply voltage	DC 20 V to 30 V
Nominal power consumption	max. 70 mA
Operational readiness indicator	LED green
RS485 interface	PROFIBUS-DP, PROFIBUS-IS, EN 61158-2; EN 61784-1
Connection resistance	Ex e PROFIBUS-DP Standard Ex i PROFIBUS-IS Standard Input manual connectable Output Set
Data direction switching	automatic
Bus activity	dynamic
Transmission rate Ex e	Kbit/s- 4, 8/9, 6/19, 2/45, 45/93, 75/187, 5/250/375/500/750 Mbit/s- 1.0/1.5/2.0/3.0/6.0/12.0
Transmission rate Ex i	Kbit/s- 4, 8/9, 6/19, 2/45, 45/93, 75/187, 5/250/375/500/750 Mbit/s- 1.0/1.5
Transmission rate switchover	manual



1

PROFIBUS-DP Coupler - increased safety

Description	Options	Module width	Order no.
PROFIBUS-DP Coupler	Ex e, 1 output	30 mm	07-7311-93WP/K1NO
PROFIBUS-DP Coupler	Ex e, 2 outputs	30 mm	07-7311-93WP/K2NO
PROFIBUS-DP Coupler	Ex e, 4 outputs	75 mm	07-7311-97WP/K4NO

PROFIBUS-DP Repeater - increased safety

Description	Options	Module width	Order no.
PROFIBUS-DP Repeater	Ex e, 1 output	30 mm	07-7311-93WP/R1NO
PROFIBUS-DP Repeater	Ex e, 2 outputs	30 mm	07-7311-93WP/R2NO
PROFIBUS-DP Repeater	Ex e, 4 outputs	75 mm	07-7311-97WP/R4NO

PROFIBUS Gateway DP/IS

Description	Options	Module width	Order no.
PROFIBUS Gateway DP/IS	Ex i, 1 output	75 mm	07-7311-97WP/K1EO
PROFIBUS Gateway DP/IS	Ex i, 2 outputs	75 mm	07-7311-97WP/K2EO
PROFIBUS Gateway DP/IS	Ex i, 4 outputs	75 mm	07-7311-97WP/K4EO

Technical data subject to change without notice.