

Ethernet switch

Switch - Ethernet Version



The Ethernet switch forwards data packets between devices.

The switch is suitable for Zone 1 and 21 hazardous areas.

- for zone 1/21
- transmit all Ethernet data
- 4 Ethernet Ports

Explosion protection

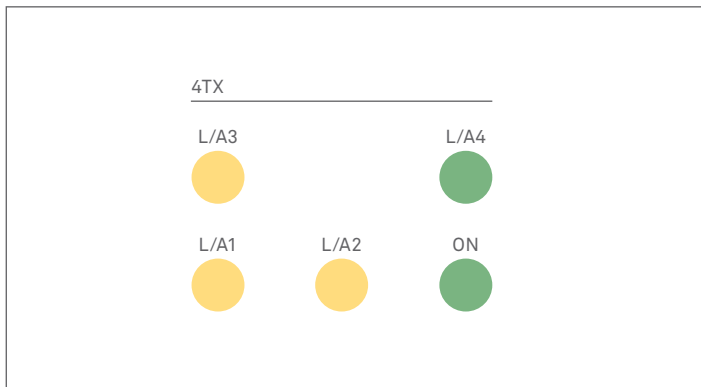
Marking ATEX	Zone 1/21
Certification	see bartec.com
Marking IECEx	Zone 1/21
Certification	see bartec.com
Marking CSA	Zone 1/21
Certification	see bartec.com

Other approvals and certificates, see www.bartec.com

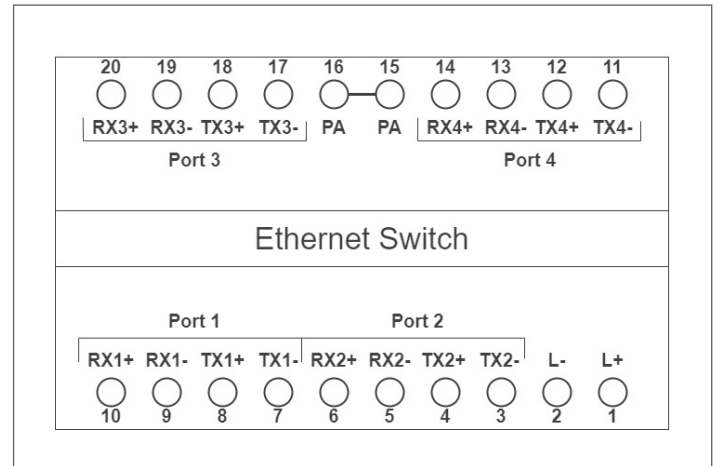
Technical data

Technical standard	100BASE-TX
Supply voltage	DC 20 V to DC 30 V
Power dissipation	max PV 3.0 W
Galvanic isolation	ethernet / power supply
Input / output	4 wire ethernet with screw terminals
Displays	LED Green: Operation indicator (ON) Link / Activity (L/A): LED yellow: Connection existing LED yellow flashing: Data transmission

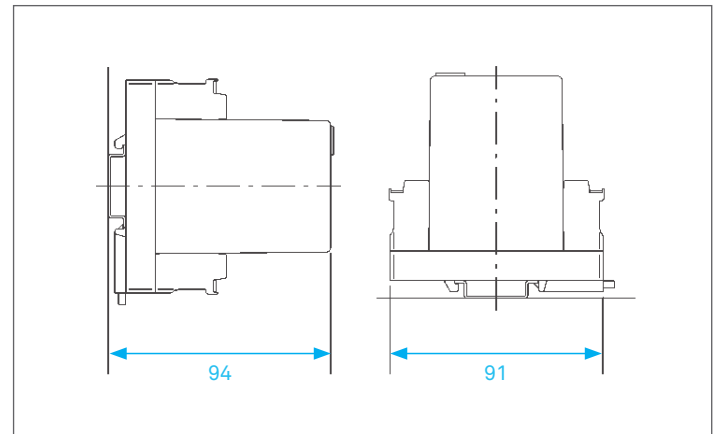
Ethernet



Wiring diagram / terminal assignment



Dimensions / mounting positions



Order numbers

Ethernet switch 07-7311-97WE4000