

PNAF

Cable glands un armoured cables



Installation

Hazardous areas – Zone 1 / 2 (Gases) – Zone 21 / 22 (Dusts)

Classification

Group II – Category 2G 2D / 3G 3D

Reference standards

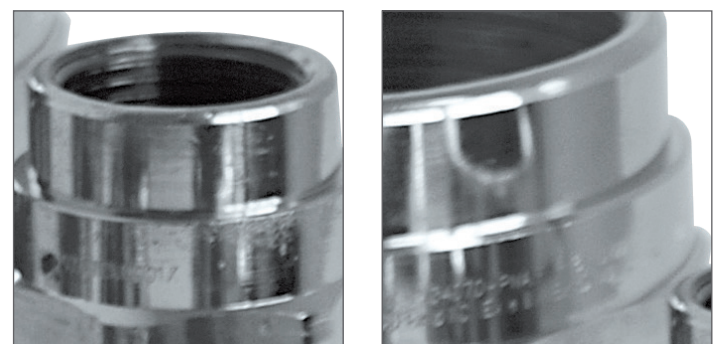
Directive 2014/34/EU	
Execution	⚡ II 2 G Ex db / Ex eb/ Ex ia/ IIC Gb II 2 D Ex tb IIIC Db ⚡ II 3 G Ex nR IIC Gc/II 3 D Ex tc IIIC Dc
Rules of compliance	EN/IEC 60079-0; EN/IEC 60079-1; EN/IEC 60079-7; EN/IEC 60079-11; EN/IEC 60079-31
EU type-examination certificate	INERIS 09 ATEX 0028X INERIS 23 ATEX 3004X (Ex nR only)
Protection degree	IP66 or IP66/68
Ambient temperature	-40 °C ÷ +90 °C (Rubber rings EPDM-60) -60 °C ÷ +180 °C (Rubber rings SILICON)
Other available certificates	IECEx: IECEx INE 11.0017X INMETRO: CEPEL 12.2177X RINA: ELE411722CS Russian marine certificate (RMRS): 19.02521.280 CCC 2023122313116542 CCOE PESO: P531870 ECASEx: 23-06-22481/Q23-06-048569/NB0002 KC: 14-KB4BO-0427X ÷ 14-KB4BO-0444X BS standard: EPTI 22 IEC 0423

Mechanical characteristics

Body/cab	OT-58 marine brass (ON) – AISI-316L stainless steel (XX) marine grade copper free aluminium (on project request only)
Finishes	Full nickel plating treatment (brass material only)
Rubber rings	EPDM rubber 50-60 shore hardness (standard supply) Silicon rubber 60 shore hardness (on demand only)
O-ring	Silicon rubber – 60 shore hardness
Skid washer	Nylon 6.0

Applications

For unarmoured cables only
Suitable for flexible conduit coupling connection by threaded cap (uni iso 228)
Single compression type suitable for indoor and outdoor use
Single compression – on cable (inner sealing)



On Request Accessories

Locknuts, Gaskets, PVC Shrouds, Earthing Tags, Sealing (See DL-NW-PTD-ET bulletin)



Cable gland selection table

Code (1)	Size	Entry thread size						Inner sheath Dia.		Female thread	Hexagon	Material	(3)
		Metric	(2)	NPT	(2)	ISO 228	(2)	min (mm)	max (mm)	UNI ISO 228 (4)	(mm)		
PNAF#	00	ISO-M16	M	3/8" NPT	N	3/8"	G	4,0	7,0	3/8"	24,0	Nickel Pl. Brass	ON
									7,0			10,0	
PNAF#	01	ISO-M20	M	1/2" NPT	N	1/2"	G	5,5	8,0	1/2"	32,0	Nickel Pl. Brass	ON
									8,0			10,5	
PNAF#	02	ISO-M25	M	3/4" NPT	N	3/4"	G	10,5	13,0	3/4"	36,0	Nickel Pl. Brass	ON
									13,0			15,5	
PNAF#	03	ISO-M32	M	1" NPT	N	1"	G	15,0	18,0	1"	45,0	Nickel Pl. Brass	ON
									18,0			21,0	
PNAF#	04	ISO-M40	M	1 1/4" NPT	N	1 1/4"	G	21,0	24,0	1 1/4"	53,0	Nickel Pl. Brass	ON
									24,0			27,0	
PNAF#	05	ISO-M50	M	1 1/2" NPT	N	1 1/2"	G	24,0	27,0	1 1/2"	61,0	Nickel Pl. Brass	ON
									27,0			30,0	
PNAF#	06	ISO-M63	M	2" NPT	N	2"	G	36,0	39,0	2"	71,0	Nickel Pl. Brass	ON
									39,0			42,0	
PNAF#	07	ISO-M75	M	2 1/2" NPT	N	2 1/2"	G	42,0	45,0	2 1/2"	84,0	Nickel Pl. Brass	ON
									45,0			48,0	
PNAF#	08	ISO-M90	M	3" NPT	N	3"	G	52,0	56,0	3"	101,0	Nickel Pl. Brass	ON
									56,0			59,0	
PNAF#	09	ISO-M100	M	4" NPT	N	4"	G	62,0	65,0	4"	126,0	Nickel Pl. Brass	ON
									65,0			68,0	



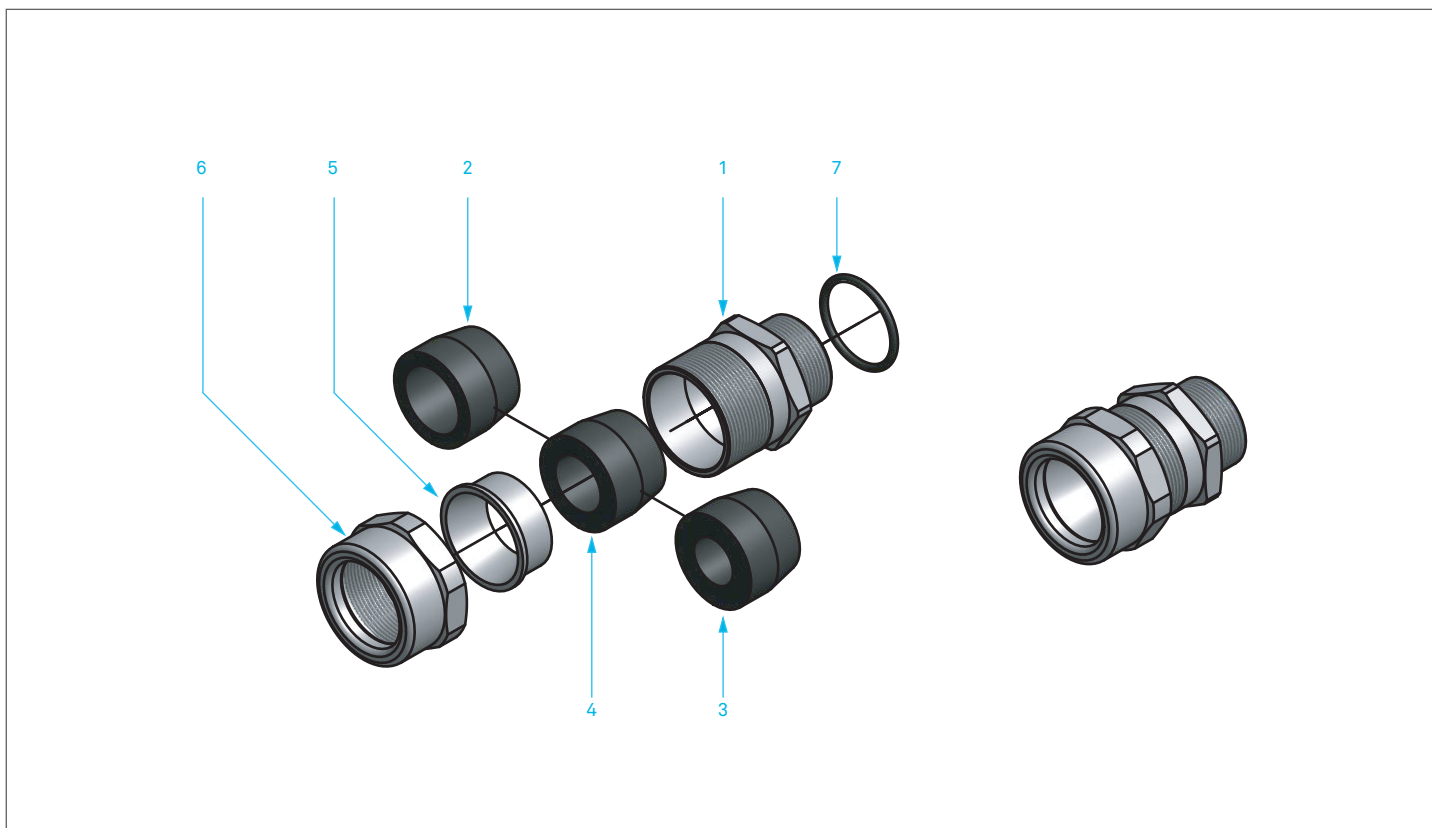
P N A F # 0 1 M O N → PNAF01MON (non-barrier cable gland nickel plated brass ISO-M20 THR.)

P N A F # 0 0 N X X → PNAF00NXX (non-barrier cable gland stainless steel)

Cable gland ordering examples

Legend		
(1) –	cable gland type/model	PNAF# = non-barrier cable gland
(2) –	threading	M = ISO METRIC pitch 1,5mm / N = NPT (ANSI/ASME B1.20.1) / G = ISO-228
(3) –	cable gland material	on = nickel plated marine brass / XX = AISI-316L stainless steel
(3) –	Female thread	ISO-228 female thread suitable for flexible conduit coupling

PNAF dimensional



1	Body
2 - 3 - 4	Inner sealing ring for not armoured cable
5	Press ring
6	Gland nut "female"
7	O-ring (only for metrical)

REMARK:

Due to the development of the national and international specifications and of the technology, the above technical characteristics showed on this bulletin can be considered as binding on our confirmation only.