

KTE-d Cable thermostat



- Very small construction
- High switching current
- Wide operating temperature range
- Ready for connection, maintenance-free

The compact BARTEC bimetallic thermostat integrated in a cable is mostly used in hazardous (potentially explosive) areas for applications in which devices are to be protected against frost. This thermostat can be inserted both for the outside temperature monitoring and for the regulation of interior temperatures of switch and control cabinets, transmitter protection boxes, measuring equipment etc. It can also be used to monitor (indicate) excessively high or low temperatures or also as an alarm contact. The application assures the greatest possible reliability because of the conformance to the required minimum temperatures.

Structure

The thermostat is built into an aluminum body. The thermostat can be installed either over the mounting hole with M6 thread or with the M20 connecting thread.

Function

The ambient temperature is measured through the surface of the thermostat. The integrated, explosion-proof bimetallic thermostat switches the connected heating in accordance with this ambient temperature.

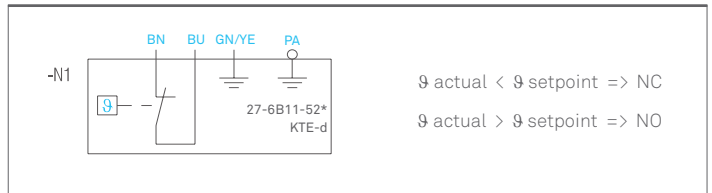
Explosion protection

Marking	Ⓜ II 2G Ex db IIC T6 ... T3 Gb Ⓜ II 2D Ex tb IIIC T85°C ...T200°C Db
Certification	PTB 04 ATEX 1064 X IECEX PTB 14.0016 X
	Other approvals and certificates, see bartec.com

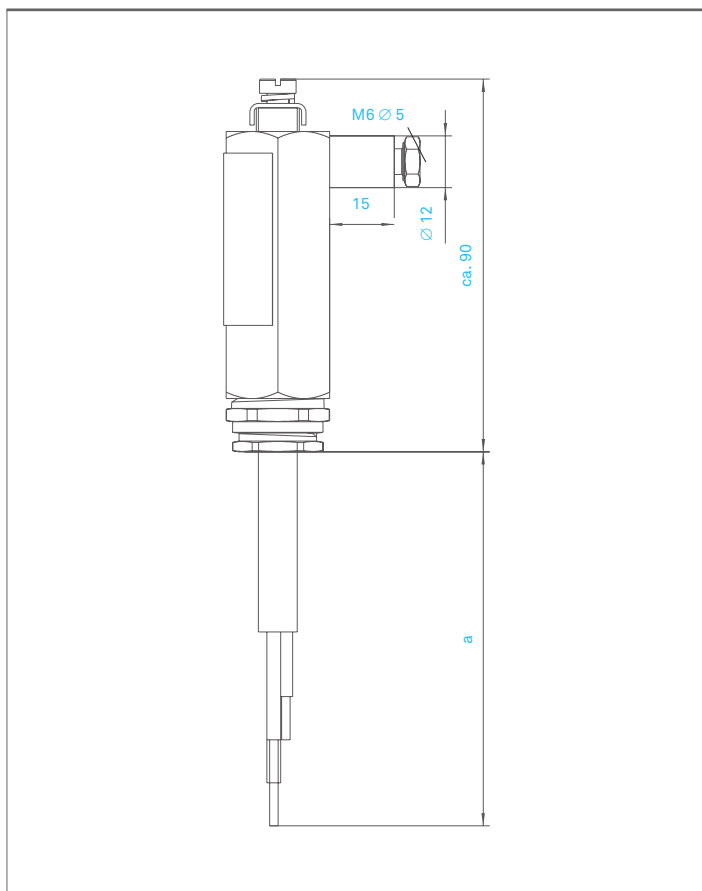
Technical data

Thermostat connection points	10 °C ON/18 °C OFF (+/- 3 ° K) (others on request)
Operating temperature range	-60 °C to +180 °C
Ambient temperature range	-60 °C to +60 °C
Switching voltage	max. AC 250 V (others on request)
Switching current	AC 10 A
Connection	Flexible cable EWKF 3 x 1.5 mm ² Ø 8.1 mm or single cores
Mounting	M6 internal thread/through hole d = 5 mm or M20 connection thread
Material	black anodised aluminium seawater proof
Protection class	IP 68

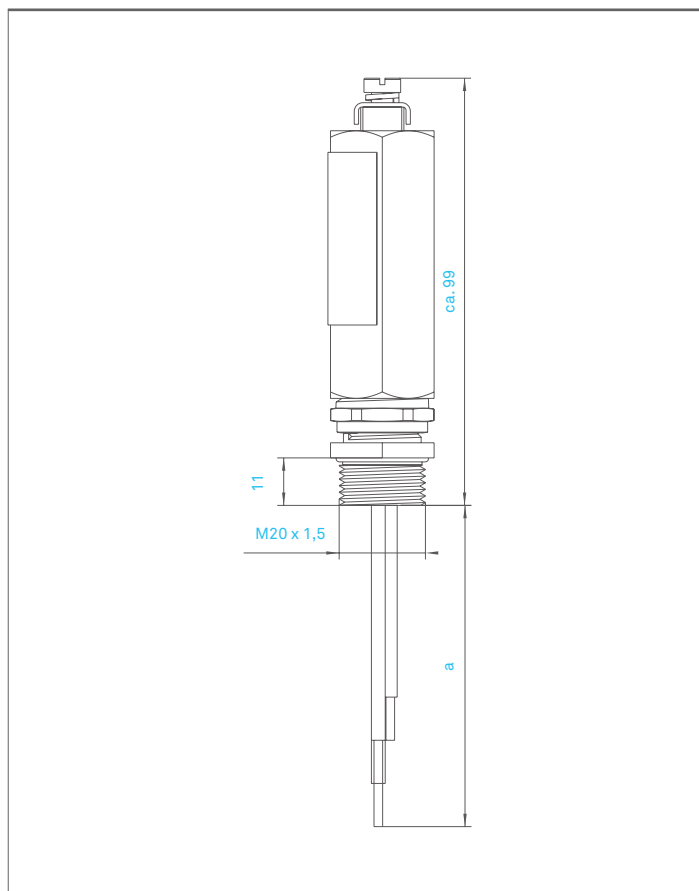
Circuit diagram



Dimensions KTE-d



Dimensions KTE-d (M20)



Ordering information

Type	Switch-off temperature	Switch-on temperature	Cable length	Mounting	Order no.
KTE-d 10	18 °C	10 °C	3.0 m	M6 internal thread/ through hole d = 5 mm	27-6B11-5230/BZ00
KTE-d 10 M20	18 °C	10 °C	0.1 m (single core)	M20 external thread	27-6B11-5201/BZ000001

BARTEC GmbH

Max-Eyth-Str. 16
97980 Bad Mergentheim
Germany

Tel.: +49 7931 597-0
Mail: info@bartec.com
Web: bartec.com