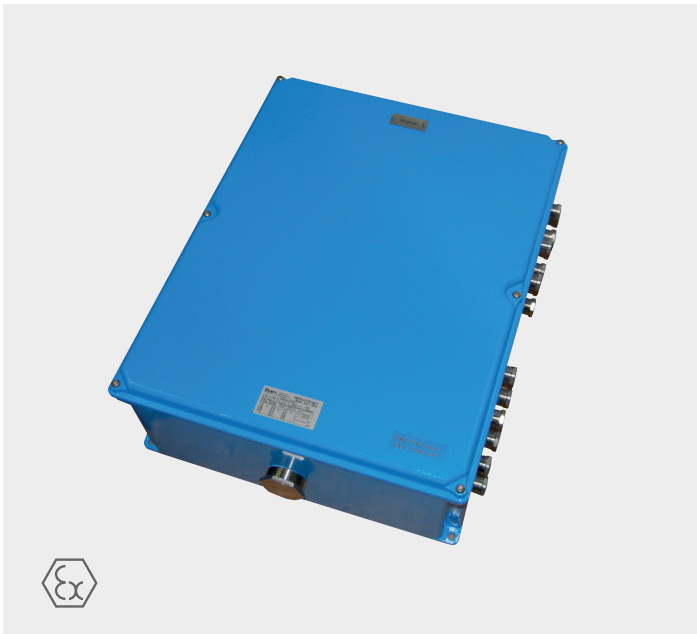


# ESA

## Junction boxes



### Installation

hazardous areas - Zone 1 / 2 (Gases) - Zone 21 / 22 (Dusts)

### Classification

Group II - Category 2G 2D

### Reference standards

Directive 2014/34/EU	
Execution	Ⓢ II 2 G Ex e IIB or IIC T6 ÷ T3 Gb Ⓢ II 2 D Ex tb IIIC T85 °C ÷ T200 °C Db
Rules of compliance	EN/IEC 60079-0; EN/IEC 60079-1; EN/IEC 60079-7; EN/IEC 60079-11; EN/IEC 60079-18; EN/IEC 60079-31
EU Type-Examination Certificate	INERIS 02 ATEX 0067X
Protection degree	IP66
Ambient temperature	-60 °C ÷ +60 °C (+160°C with ceramic terminals)
Other available certificates	Component: INERIS 13 ATEX 9028U IECEx: IECEx IINE11.0016 INMETRO: CEPEL 12.2159X NEC 505: UL 20141112-E465037 - Type rating NEMA 1, 12, 4 and 4X CCC: 2023122304116541 ECASEx: 23-06-22481/Q23-06-048569/ NB0002 RINA: ELE045823CS

### Mechanical characteristics

Body	marine grade copper free aluminium
Cover	marine grade copper free aluminium
Screws	stainless steel
Gaskets	silicon rubber
Internal plate	aluminium

### On Request Accessories

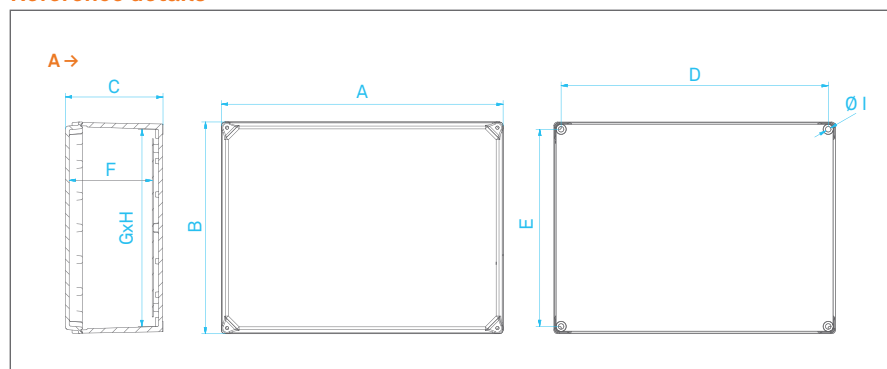
- External epoxy painting with colour on request
- Internal anticondensate painting orange RAL-2004
- Drain and breather valves



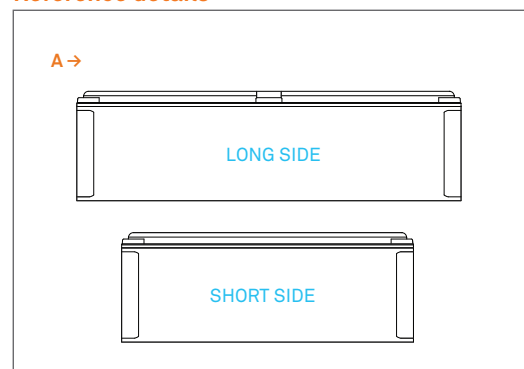
**Technical features**

Code	A [mm]	B [mm]	C [mm]	D [mm]	E [mm]	F [mm]	G [mm]	H [mm]	I [mm]	Int. plate X - Y [mm]	Weight [kg]	Detail
ESA1313	130	130	87	115	115	70	112	112	6	110 - 70	1,20	A
ESA1717	170	170	97	155	155	81	151	151	6	150 - 150	1,50	A
ESA2216	220	160	96	205	145	80	141	201	6	200 - 100	3,80	A
ESA2222	220	220	112	205	205	95	201	201	6	200 - 200	4,40	A
ESA3322	330	220	123	310	200	103	201	311	8	294 - 154	6,40	A
ESA3333	330	330	131	310	310	111	311	311	8	290 - 290	8,80	A
ESA4433	440	330	154	420	310	131	311	421	8	400 - 290	11,40	A
ESA5242	520	440	183	496	394	159	398	499	8	460 - 370	20,20	A
ESA6348	630	480	181	615	465	156	459	609	8	550 - 400	21,30	A

**Reference details**



**Reference details**



**Body enclosures indicative maximum quantity of holes of the same size**

Enclosure code	Drilling area long side							
	Quantity allowed entries for size (from 1 to size 8)							
	1	2	3	4	5	6	7	8
ESA1313	2	1	1	1	-	-	-	-
ESA1717	5	3	2	2	2	1	-	-
ESA2216	6	3	3	3	2	2	-	-
ESA2222	9	5	3	3	3	2	2	-
ESA3322	12	7	6	5	4	3	3	-
ESA3333	12	7	6	5	4	3	2	-
ESA4433	20	14	12	12	6	5	3	-
ESA5242	30	18	16	12	12	8	4	3
ESA6348	36	24	18	16	12	10	6	4

Enclosure code	Drilling area short side							
	Quantity allowed entries for size (from 1 to size 8)							
	1	2	3	4	5	6	7	8
ESA1313	2	1	1	1	-	-	-	-
ESA1717	5	3	2	2	2	1	-	-
ESA2216	4	2	2	2	1	1	-	-
ESA2222	8	5	3	3	3	2	2	-
ESA3322	8	5	4	4	3	2	2	-
ESA3333	12	7	6	5	4	3	2	-
ESA4433	14	10	8	8	4	3	2	-
ESA5242	28	18	14	11	10	7	4	1
ESA6348	30	21	15	12	10	8	4	3

**Indicative quantity of terminals and relevant section**

Code	Sect. 2,5 [sq/mm]	Sect. 6,0 [sq/mm]	Sect. 10,0 [sq/mm]	Sect. 16,0 [sq/mm]	Sect. 35,0 [sq/mm]	Sect. 50,0 [sq/mm]	Sect. 70,0 [sq/mm]	Sect. 240,0 [sq/mm]	Int. plate X - Y [mm]
ESA1313	10 x 1	5 x 1	4 x 1	4 x 1	3 x 1	2 x 1	1 x 1	-	112 - 70
ESA1717	20 x 1	10 x 1	8 x 1	8 x 1	6 x 1	3 x 1	2 x 1	1 x 1	150 - 150
ESA2216	30 x 1	18 x 1	14 x 1	10 x 1	8 x 1	3 x 1	2 x 1	1 x 1	200 - 100
ESA2222	30 x 1	18 x 1	14 x 1	10 x 1	8 x 1	4 x 1	2 x 1	2 x 1	200 - 200
ESA3322	46 x 1	26 x 1	22 x 1	18 x 1	14 x 1	10 x 1	6 x 1	2 x 1	294 - 154
ESA3333	46 x 2	24 x 2	22 x 2	16 x 2	14 x 2	10 x 1	8 x 1	3 x 1	290 - 290
ESA4433	70 x 2	40 x 2	32 x 2	26 x 2	20 x 2	14 x 2	10 x 1	4 x 1	400 - 290
ESA5242	70 x 3	44 x 3	34 x 3	30 x 3	22 x 3	18 x 2	14 x 1	6 x 1	460 - 370
ESA6348	90 x 3	56 x 3	44 x 3	40 x 3	28 x 3	24 x 2	20 x 1	10 x 1	550 - 400

REMARK:

Due to the development of the national and international specifications and of the technology, the above technical characteristics showed on this bulletin can be considered as binding on our confirmation only.