

# ComEx illuminated indicator module

for panel- and railmounted installation



The ComEx illuminated indicator module visualizes different system states by lighting up or going out a illuminated indicator. It is suitable for use in almost all explosive areas in which a visual indication of a machine's status is required.

The ComEx illuminated indicator module is flexible and available in different colours (red, green, yellow, white and blue). The connecting cable is connected to the ComEx illuminated indicator module via screw terminals. The ComEx illuminated indicator module offer the option of simple and fast mounting on a rail- or a panel mounted installation per direct mounting to the ComEx actuator. The ComEx illuminated indicator modules are developed and certified for globally market.

- Easy installation
- Certified for zone 1 and 21
- Operating temperature
  - 55 °C to +85 °C (-67 °F to +185 °F)
- Intensive illumination by colored LED



**Explosion protection**

|                              |   |
|------------------------------|---|
| Notified Body Number         | CE 0044   |
| Approved Body Number         | 2503  |
| ATEX/UKEX Ex protection type | Ⓜ II 2G Ex db eb IIC Gb<br>Ⓜ I M2 Ex db eb I Mb                             |
| ATEX/UKEX certificate number | CML 22 ATEX 1135 U<br>CML 22 UKEX 1136 U                                    |
| IECEX Ex protection type     | Ex db eb IIC Gb<br>Ex db eb I Mb  |
| IECEX certificate number     | IECEX CML 22.0014 U   |
| CEC (UL Mark)                | Ex db eb IIC Gb<br>Class I, Division 2, Groups A, B, C, D                   |
| NEC (UL Mark)                | Class I, Zone 1, AEx db eb IIC Gb<br>Class I, Division 2, Groups A, B, C, D |
| UL certificate number        | UL E184198  |
| Service temperature          | -55 °C to +85 °C (-67 °F to +185 °F)  |

For further approvals and certificates, see [www.bartec.com](http://www.bartec.com)

**Technical data**

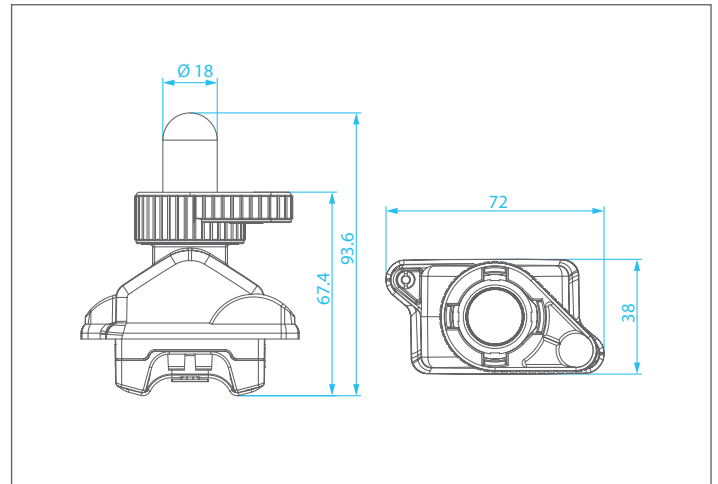
|   |  |               |
|---|--|---------------|
| Max. Ambient temperature only with protection by flameproof enclosure "d" | +85 °C (+185 °F)   |               |
| Degree of protection  | IP20 acc. to EN 60529  |               |
| Rated insulation voltage  | 300 V  |               |
| Working voltage   | 250 V  |               |
| Rated voltage   | AC/DC 12...230 V   |               |
| Power consumption   | < 1 W  |               |
| Lamp  | LED (red, green, yellow, white, blue)  |               |
| Illumination  | very bright, visible angle over 180°   |               |
| Enclosure material  | thermoplastic  |               |
| Connection  | 0.75 mm² - 2.5 mm²/18 AWG - 12 AWG   |               |
| Electrical life   | 10 <sup>5</sup> running hours  |               |
| Storage and transport temperature   | -55 °C to +85 °C (-67 °F to +185 °F)   |               |
| Weight  | Panelmounted   | approx. 110 g |
|   | Railmounted  | approx. 90 g  |
| Mounting  | Panelmounted<br>(locked to signal device actuators 07-3400-L* by bayonet catch)<br>Railmounted<br>(latched on mounting rail NS 35 x 7.5) |               |
| Shock resistance  | DIN EN 60068-2-27, 30 g 18 ms  |               |

**Ordering information**

| Wiring diagram | Colour LED | A | Colour actuator | B |
|----------------|------------|---|-----------------|---|
|                | red        | 1 | red             | R |
|                | green      | 2 | green           | G |
|                | white      | 4 | yellow          | Y |
|                | white      | 4 | white           | W |
|                | blue       | 5 | blue            | B |

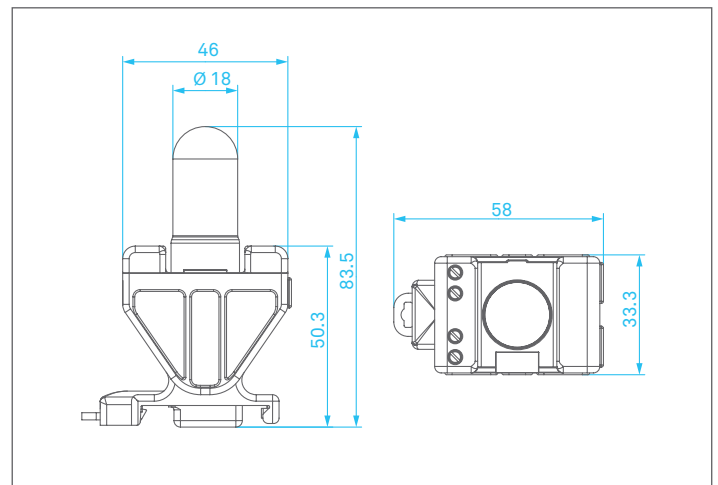
**Dimensions in mm**

ComEx illuminated indicator module for panelmounted 07-3354-41\*



**Dimensions in mm**

ComEx illuminated indicator module for railmounted 07-3352-11\*



**Complete order no.**

ComEx illuminated indicator module for panelmounted without actuating element

0 7 - 3 3 5 4 - 4 1 **A** 0

ComEx illuminated indicator module for railmounted without actuating element

0 7 - 3 3 5 2 - 1 1 **A** 0

**Actuating element**

Standard

0 7 - 3 4 0 0 - L **B** 0 0

Please enter code number.

