

ComEx potentiometer module

for panel- and railmounted installation



The ComEx potentiometer module is used in almost all hazardous (potentially explosive) areas where machine functions are controlled by means of adjustable voltage distributors. The module can be combined with a potentiometer actuator (scale graduation 0 to 10) and is available in versions with 1 k Ω and 10 k Ω .

All contacts of the ComEx potentiometer module are self-cleaning, and the NC contacts feature positive opening. The connecting cable is connected to the ComEx potentiometer module via screw terminals. The ComEx potentiometer module offer the option of simple and fast mounting on a rail or a panel mounted installation per direct mounting to the ComEx actuator. The ComEx potentiometer modules are developed and certified for globally market.

- Easy installation
- Certified for zone 1 and 21
- Operating temperature
-55 °C to +85 °C (-67 °F to +185 °F)
- Available in 1 k Ω and 10 k Ω

Explosion protection

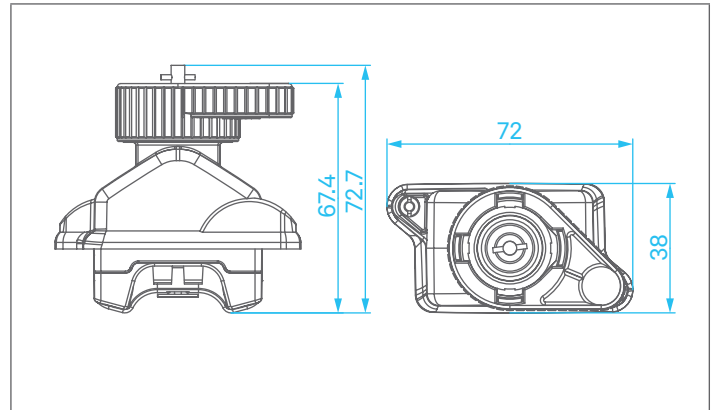
Notified Body Number	CE 0044
Approved Body Number	2503
ATEX/UKEX Ex protection type	Ⓜ II 2G Ex db eb IIC Gb Ⓜ I M2 Ex db eb I Mb
ATEX/UKEX certificate number	CML 22 ATEX 1135 U CML 22 UKEX 1136 U
IECEX Ex protection type	Ex db eb IIC Gb Ex db eb I Mb
IECEX certificate number	IECEX CML 22.0014 U
CEC (UL Mark)	Ex db eb IIC Gb Class I, Division 2, Groups A, B, C, D
NEC (UL Mark)	Class I, Zone 1, AEx db eb IIC Gb Class I, Division 2, Groups A, B, C, D
Certification	UL E184198
Operating temperature ranges	-55 °C to +85 °C (-67 °F to +185 °F)

Technical data

Max. ambient temperature only with protection by flame- proof enclosure “d”	+85 °C (+185 °F)
Degree of protection	IP20 acc. to EN 60529
Rated voltage (U)	250 V
Rated insulation voltage (Ui)	250 V
Rated power dissipation	up to 1 W
Resistance	1 kΩ 10 kΩ
Curve shape	linear
Resistor material	carbon film on ceramics
Rotation	mechanical: 285° to 5° electrical: approx. 250°
Rated torque	0.4 - 0.7 Nm (0.3 - 0.5 lb.ft)
Enclosure material	Thermoplastic
Connection	0.75 mm ² - 2.5 mm ² /18 AWG - 12 AWG
Storage and transport temperature	-55 °C to +85 °C (-67 °F to +185 °F)
Mechanical life	25,000 sinusoidal cycles
Weight	Panelmounted: approx. 110 g Railmounted: approx. 71 g
Mounting	Panelmounted (locked with potentiometer actuator 07-3400-D100 by bayonet lock) Railmounted (latched on mounting rail NS 35 x 7.5)
Shock resistance	DIN EN/IEC 60068-2-27, 30 g 18 ms

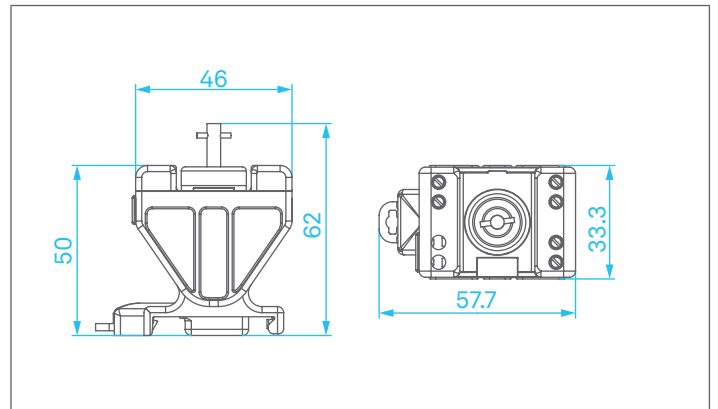
Dimensions in mm

ComEx potentiometer module for panelmounted 07-3374-4D*



Dimensions in mm

ComEx potentiometer module for railmounted 07-3372-1D*



Ordering information

Wiring diagram	Resistance	Code no. A
	1 kΩ	4
	10 kΩ	7

Other levels of resistance on request.

Complete order no.

ComEx potentiometer module for panelmounted
without actuating element

0 7 - 3 3 7 4 - 4 D **A** 0

ComEx potentiometer module for railmounted
without actuating element

0 7 - 3 3 7 2 - 1 D **A** 0

Actuating element

Standard

0 7 - 3 4 0 0 - D 1 0 0

Please enter code number.