



Nonthreaded line bushings

Description

Industrial processes often take place in closed containers under increased pressure or even under vacuum conditions. When electric leads are run through, care must be taken to prevent any transfer of mass through the conductor or drops in pressure/vacuum.

BARTEC pressure-proof/vacuum-sealed line bushings provide a simple and cost-effective way of dealing with this problem. These line bushings consist essentially of a metallic sleeve which encapsulates and longitudinally seals the electric conductors in cast resin. This means that sealing is not only ensured along the lengths of the conductors but also through the conductor strands themselves. BARTEC pressure-proof/vacuum-sealed line bushings can be designed for working temperatures of -70 °C to +150 °C depending on the application. Depending on the working temperature and ambient medium, it is possible to control pressure levels of 10⁻⁶ mbar to 200 bar. Depending on the application, it is also possible to use BARTEC line bushings under conditions which deviate from the following technical basic data.

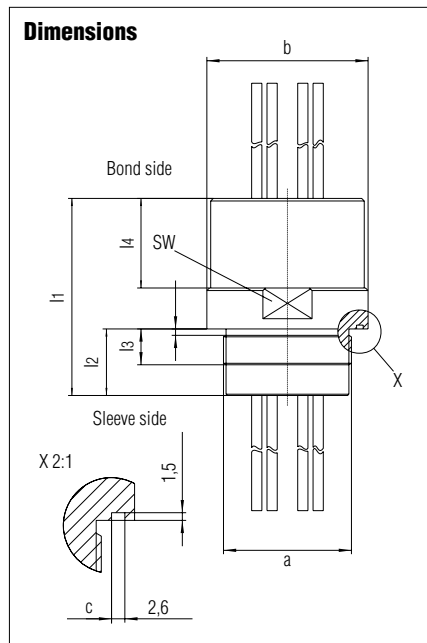
They are **not** approved for use in hazardous areas.

Explosion-proof and pressure-sealed version(EPS 13 ATEX 1619 U).

Selection chart

Thread size	Dimensions in mm							Nominal conductor cross-section	Max. number of conductors
	b	c	I ₁	I ₂	I ₃	I ₄	AF		
M24 x 1.5	∅ 36	∅ 28	50	22	17	0	32	0.5	8
								0.75 / 1 / 1.5	6
								2.5	5
			85	37	17	0	32	4	1
								6	1
								10	1
M33 x 1.5	∅ 43	∅ 35	50	34	17.5	0	41	16	1
								0.5	18
								0.75 / 1 / 1.5	8
			85	49	17.5	20	41	2.5	6
								4	5
								6	1
M36 x 1.5	∅ 46	∅ 38	50	34	17.5	0	41	25	1
								0.5	22
								0.75 / 1 / 1.5	10
			85	49	17.5	20	41	2.5	9
								4	6
								6	6
M42 x 1.5	∅ 55	∅ 45	50	34	17.5	0	50	10 + (1.5)	3 + (3)
								0.5	30
								0.75 / 1 / 1.5	16
			85	49	17.5	20	50	2.5	12
								4	8
								6	8
M50 x 1.5	∅ 63	∅ 54	77	26	14	35	60	10 + (1.5)	3 + (6)
								0.5	45
								0.75 / 1 / 1.5	30
			97	36	14	45	60	2.5	15
								4	13
								6	13
25 + (1.5)	4 + (4)	4 + (4)	4 + (4)	4 + (4)	10 + (1.5)	3 + (6)			
					16 + (1.5)	3 + (6)			
					16 + (1.5)	4 + (4)			
25 + (1.5)	4 + (4)	4 + (4)	4 + (4)	4 + (4)	25 + (1.5)	4 + (4)			

Weitere Ausführungen auf Anfrage. Bitte Kundenanforderungsformular am Ende des Kapitels verwenden!



➔ Technical data

- **Basic version**
- Protection class**
IP 68
- Nominal voltage**
see table
- Rated conductor cross section**
0.35 mm² to 35 mm²
- Temperature range**
-70 °C to +150 °C
- Nominal pressure**
63 bar at RT (RT= +25 °C)
- Core lengths**
500 mm on both sides,
other lengths on request

Selection chart

Nominal voltage	Code no.	Conductor cross section	Code no.	Number of cores	Code no.	Sleeve sizes	Code no.	Temperature	Code no.	Sleeve material	Code no.
450/750 V	1	Special cross section	A	1 core	01	M24 x 1.5	2	-25 °C to +100 °C	0	nickel-plated brass	00
250 V	2	0.35 mm ²	D	2 cores	02	M33 x 1.5	3				
1 000 V	3	0.5 mm ²	E	10 cores	10					M36 x 1.5	4
		0.75 mm ²	F	11 cores	11						
3 000 V*	4	1.5 mm ²	H	20 cores	20	M42 x 1.5	6	-70 °C to +150 °C	5	Steel 1.4305	02
60 V	5	2.5 mm ²	J	21 cores	21						
400 V	7	6.0 mm ²	L	etc. up to a max. indicated in column "Maximum number of cores" in the chart "Dimensions"		Special size	9			Steel 1.4571	03
500 V	8	10.0 mm ²	M								
Special voltage	9	16.0 mm ²	N								
		25.0 mm ²	P								
		35.0 mm ²	Q								

* on request

➔ **Complete order no.** 37-910 - [] [] [] [] / 7 [] [] [] *

Technical data subject to change without notice.

* in conjunction with the customer requirements form at the end of the chapter