



Bushing conductor studs

Description

Industrial processes often take place within closed containers, under increased pressure or even vacuum conditions. It is therefore of utmost importance that no media leakages or pressure/vacuum drops occur when electrical power or signals are led through the container wall.

Our BARTEC pressure and vacuum sealed stud-type bushings provide a simple and cost-effective solution to this problem. The stud-type bushings essentially consist of a threaded metal sleeve and the stud forming one block by means of a creepage-proof insulation material.

The electrical connection can be made by the user himself with conventional connection systems. The seals can withstand pressures from 10 mbar abs. to 63 bar depending on the type used for the installation.

Depending on their field of application, BARTEC pressure and vacuum sealed stud-type bushings can be used at temperatures of -70 °C to +150 °C. Our BARTEC stud-type bushings can also be used under conditions that differ from the basic technical data listed below.

They are **not** approved for the use in hazardous areas.

Technical data

■ **Basic Version**

Nominal voltage
up to 1 000 V

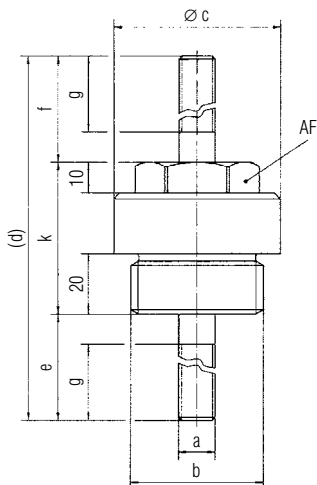
Stud thread
M3 to M30

Temperature range
-70 °C to +150 °C

Nominal pressure
up to 63 bar at RT (RT = +25 °C)¹⁾

Test pressure
80 bar at RT

Dimensions



Selection chart

| Nominal current | | | |
|-------------------------------|--------------------------|--------------------------|--------------------------|
| at +25 °C ambient temperature | 100 A | 250 A | 315 A |
| Dimensions in mm | | | |
| a | M8 | M12 | M16 |
| b | R 1" | R 1 1/4" | R 1 1/2" |
| c | 41 | 55 | 60 |
| d | 100 | 150 | 160 |
| e | 35 | 50 | 55 |
| f | 30 | 50 | 55 |
| g | 22 | 40 | 40 |
| SW | 30 | 36 | 36 |
| k | 35 | 50 | 50 |
| Order no. | 37-9119-A019/70E2 | 37-9119-A019/70E1 | 37-9119-A019/70E4 |

¹⁾ depending on outer seal

Other versions on request. Please use the customer requirements form at the end of the chapter! Technical data subject to change without notice.