

# ComEx<sup>flex</sup> Potentiometer

for local control stations and control panels

Type: 07-3373-4D\*0



The ComExflex potentiometer is used in almost all hazardous (potentially explosive) areas where machine functions are controlled by means of adjustable voltage distributors. The module can be combined with a potentiometer actuator (scale graduation 0 to 10).

A junction box is available as a safe and convenient means of installing the potentiometer in a control panel. The conductors are connected by means of terminals on the back of the module which have an increased safety level. The easy installation of the potentiometer actuating element without the need for tools, ensures conformance to the high IP degree of protection.

- One module for all fields of application
- High flexibility thanks to the junction box
- Low installation depth

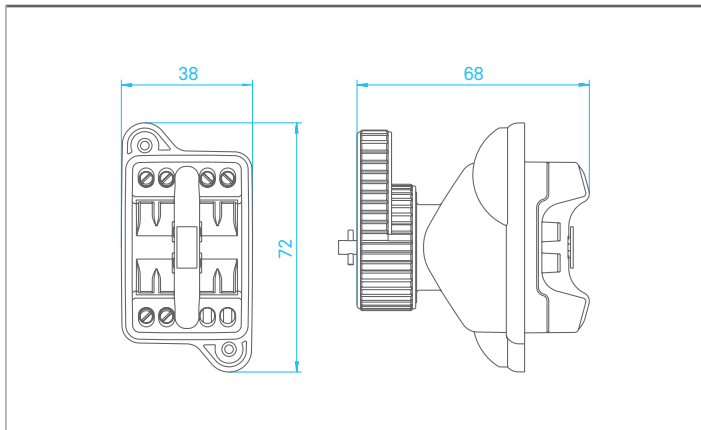
**Explosion protection**

Notified Body Number	0044
Approved Body Number	2503
Marking ATEX / UKEX	Ⓜ II 2G Ex db eb IIC Gb Ⓜ I M2 Ex db eb I Mb
Certification	CML 17 ATEX 1119 U
Marking IECEx	Ex db eb IIC Gb Ex db eb I Mb
Certification	IECEX CML 17.0057U
Approved	for the zones 1,2
Other approvals and certificates, see <a href="http://bartec.com">bartec.com</a>	

**Technical data**

Ambient temperature	-55 °C to +60 °C (-67 °F to +140 °F)
Service temperature	-55 °C to +85 °C (-67 °F to +185 °F)
Storage and transport temperature	-55 °C to +70 °C (-67 °F to +158 °F)
Rated insulation voltage	500 V
Max. rated voltage	AC/DC 230 V
Resistance	1 kΩ and 10 kΩ
Curve shape	linear
Resistance tolerance	± 20 %
Rated output	max. 1 W at T <sub>a</sub> < +40 °C
Resistor material	carbon film on ceramics
Rotation	mechanical: 285° to 5° electrical: effective approx. 250°
Torgue (beginning)	0.5 to 1.5 Ncm
Torgue (end stop)	≥100 Ncm
Connection	double terminals 2 x 2.5 mm <sup>2</sup> , fine-wire
Mechanical life	25,000 sinusoidal cycles
Mounting	On mounting rail NS 35/7.5
On mounting rail NS 35/7.5	DIN EN 60068-2-27: 30 g 18 ms
Protection class	determined by the actuating element and ComEx enclosure, min. IP 66, terminals IP 20
Weight	approx. 110 g
Enclosure material	Thermoplastic

**Dimensions in mm**



**Ordering information**

Potentiometer without actuating element

0 7 - 3 3 7 3 - 4 D \* 0  
A

Wiring diagram	Code A	Resistance
	4	1 kΩ
	7	10 kΩ

Please enter code number. Other actuator available see [bartec.com](http://bartec.com)

**Actuating element**

Standard (scale 1 to 10)	Order no. 05-0003-007600
Increased oil resistance (scale 1 to 10)	Order no. 05-0003-007600BN

**Notes for installation and inspection**

At rated voltage	≤ AC 50 V / < DC 120 V (protection low voltage in accordance with DIN VDE 0100 T. 410) potentiometer drive shaft can be operated without actuating element.
At rated voltage	≥ AC 50 V to max. AC/DC 230 V potentiometer drive shaft can only be operated with actuating element or has to be deenergized.