



- One module for all intrinsically safe application areas
- Long service life
- Excellent luminosity

The ComEx Ex i lamp module indicates command modes by means of a light signal lighting up or going out. It is suitable for use in almost all hazardous (potentially explosive) areas in which a visual indication of a machine's functional status is required. The lamp modules are designed to conform to the requirements of the "e increased safety", "d flameproof enclosure" and "i intrinsic safety types of protection". They may be activated by intrinsically safe circuits. The lamp module can be combined with various lamp module actuators. Each lamp module actuator is fitted into a mounting hole in a control console or a control panel. The respective lamp module is intended for fitting onto a mounting rail. Conductors are connected using terminals with increased safety on the back of the module. The lamp module actuators can be fitted easily, without the use of tools, which ensures conformance to the high IP degree of protection.

Explosion protection

Marking ATEX	II 2G Ex db eb IIC Gb I M2 Ex db eb ia I Mb
Certification	CML 17 ATEX 1106 U
Marking IECEx	Ex db eb IIC Gb Ex db eb I Mb
Certification	IECEx CML 17.0046U
Other approvals and certificates, see www.bartec.de	
Ambient temperature	-55 °C to +60 °C

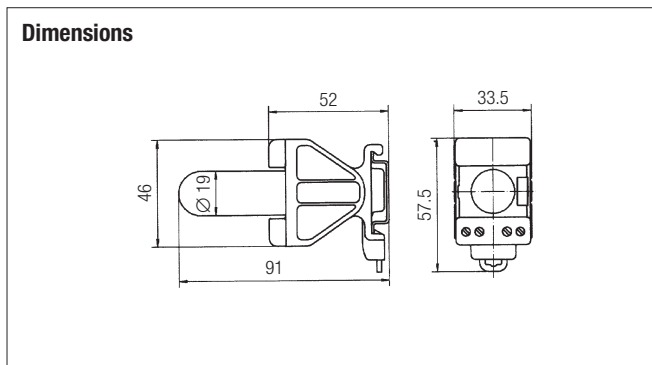
Technical data

Protection class	determined by the actuating element and control unit enclosure, min. IP 66, terminals IP 20
Rated operating voltage (U _e)	AC/DC 10 to 30 V
Frequency range	with AC supply 30 to 100 Hz
Power consumption	≤ 0,5 W
Lamp	LED, red, green, yellow, white, blue
Illumination	very bright, visible angle over 180°
Enclosure material	thermoplastic
Type of connection	terminals 2.5 mm ² , fine-stranded
Service life	>10 ⁵ running hours
Storage and transport temperature	-55 °C to +70 °C
Weight	approx. 90 g
Fastening	onto TS 35 x 7.5 mounting rail
Shock resistance	DIN EN/IEC 60068-2-27, 30 g, 18 ms DIN EN/IEC 60068-2-6, 4 g, 1.6 mm

Intrinsically safe parameters

Input voltage (U _i)	30 V
Input current (I _i)	150 mA
Input power (P _i)	1 W
Inductance (L _i)	negligible
Capacitance (C _i)	negligible

Dimensions



Ordering information

Wiring diagram	Colour LED	Code no.	Colour actuator	Code no.
	red	1	red	3
	green	2	green	4
	yellow	3	yellow	5
	white	4	white	6
	blue	5	blue	7

Complete order no.

Lamp module without actuating element	07-3351-14	<input type="checkbox"/> 0
Actuating element Standard	05-0003-001	<input type="checkbox"/> 00
Increased oil resistance	05-0003-001	<input type="checkbox"/> 00BN

Please enter code number.

Technical data subject to change without notice.