



- Contacts with positive break operation
- High flexibility
- Easy installation

The ComEx 4-pole switch module can be used in almost all potentially explosive areas where machine functions need to be triggered by a button or a switch. ComEx switch modules are flexible in use and offer a range of actuator elements. All contacts of the switch module are selfcleaning, and NC contacts have positive opening. The conductor is connected using terminals with increased safety on the back of the module. The simple installation of the actuator elements without tools guarantees the high IP protection type. The 4-pole switch module can be installed quickly and directly into double or triple ComEx enclosures, or in combination with other command devices in control units.

Explosion protection

Marking ATEX	II 2G Ex db eb IIC Gb I M2 Ex db eb I Mb
Certification	CML 17 ATEX 1105 U
Marking IECEx	Ex db eb IIC Gb Ex db eb I Mb
Certification	IECEx CML 17.0045U TS RU C-DE.VN02.V.00690/18
Other approvals and certificates, see www.bartec.de	
Permissible ambient temperature	-55 °C to +60 °C
Operating temperature	-55 °C to +85 °C

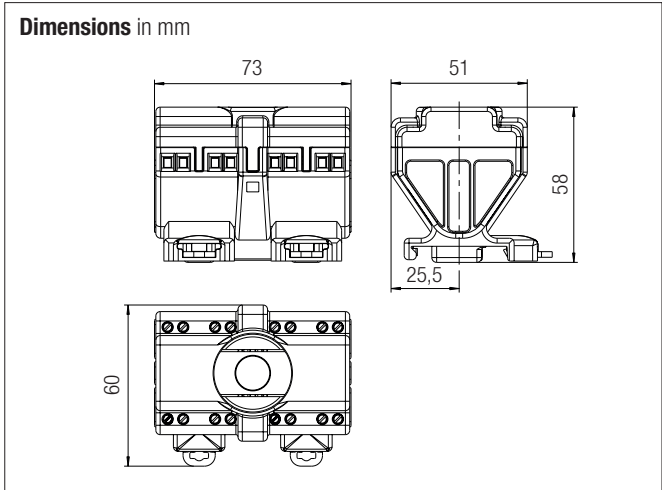
Technical data

Connection	terminals 2.5 mm ² , fine stranded
Contact material	AgSnO ₂
Enclosure material	thermoplastic
Installation	on TS 35 x 7.5 mounting rail
Switch function	max. 4 switch contacts different NC/NO contact assemblies
Contacts	contacts with positive break operation (self-cleaning)
Installation	in ComEx double and triple enclosures and in control units as rail mounting and front-panel mounting (additional equipment needed)

Electrical data

Rated insulation voltage	$U_i = 690\text{ V}$ $U_e = 400\text{ V}$				
Rated voltage					
400 V	400 V	110 V	24 V	230 V	220 V
Utilization category					
AC-12	AC-15	DC-13	DC-13	AC-15	DC-13
Rated operating currents					
16 A	10 A	0.5 A	1 A	10 A	0.1 A
Rated impulse strength	$U_{imp} = 6\text{ kV}$				
Conditional rated short-circuit current at 400 V	$I_e = 4\text{ kA}$				
Maximum current	max. 16 A				
Nominal thermal current	(+40 °C) $I_{the} = 16\text{ A}$ (+60 °C) $I_{the} = 11\text{ A}$				

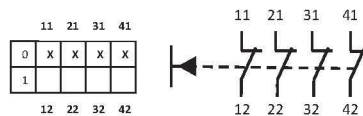
Dimensions in mm



Ordering information

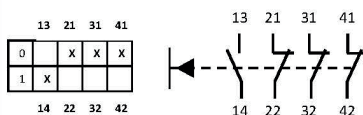
Contact arrangement of switch module Code no.

4 NC



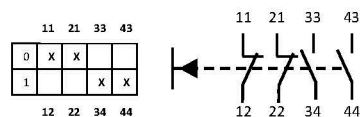
1

3 NC / 1 NO



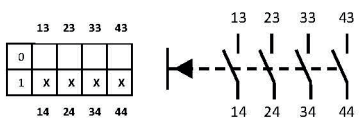
2

2 NC / 2 NO



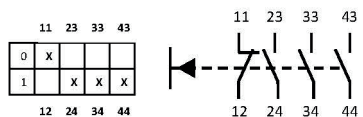
3*

4 NO



4*

1 NC / 3 NO



5*

* Special versions on request

Complete order no. 07-3381-000

Please enter code number. Technical data subject to change without notice.