



## Limit switch plastic encapsulated

### Features

- Positive break contacts
- Very robust construction
- IP 65 protection class
- 13 different actuator versions
- Operator protection in accordance with GS-ET 15

### Description

Besides the metal-enclosed precision switch of the RET series, BARTEC also offers a series of limit switches with plastic bodies. The enclosure is made of shock impact resistant proof plastic providing an IP 65 protection class according to IEC/EN 60529. Due to its format several limit switches can be mounted in tandem formation requiring very little space.

This allows a multiple triggering of switching operations. The connection cable is equipped with a strain relief device, prewired and safely cast into the enclosure by means of epoxy resin. We supply this robust limit switch with a standard length of 3 m; special lengths are available on request.

The integrated switching element changes over via NC contact with positive break operation. Operator protection corresponds the the GS-ET 15 requirements.

Its high vibration resistance and long life are the result of a most extensive laboratory research. The certification for hazardous areas and the high protection class granted thanks to its structural characteristics are the ideal prerequisites for its use in almost all fields of automation, mechanical and high-tec engineering.

### Explosion protection

#### Ex protection type

**ATEX** II 2G Ex d IIC T6, T5 Gb  
 II 2D Ex tb IIIC T80 °C, T95 °C Db

#### Certification

PTB 03 ATEX 1143 X

#### IECEX

Ex d IIC T6, T5 Gb  
Ex tb IIIC T80 °C, T95 °C Db

#### Certification

IECEX EPS 12.0036 X

Other approvals and certificates, see [www.bartec-group.com](http://www.bartec-group.com)

#### Operating temperature

-20 °C bis +100 °C  
depending on the type and materials used

#### Ambient temperature Limit switch

T5 for max. +90 °C  
T6 for max. +65 °C  
depending on rated current

### Technical data

#### Protection class

IEC/EN 60529: IP 65

#### Enclosure

shock-resistant thermoplastic material, self-extinguishing UL 94-V0

#### Switching element

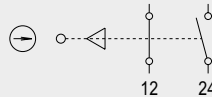
1 NO/1 NC contact  
both galvanically isolated  
NC contact with pos. break (VDE 0113, Teil 1)

#### Connection

4 core cable H05VV-F  
cross section: 0.75 mm<sup>2</sup>  
cable length: 3 m, 5 m, 10 m

#### Colour coding of the flexible leads

11 = BN  
12 = BU  
23 = BK  
24 = GY



#### Electrical structure

EN 60947-5-1  
EN 60947-1

#### Nominal voltage

AC 250 V/DC 230 V

#### Nominal current

AC 6 A  
DC 0.25 A

#### Switching capacity

	with AC 15	with DC 13
250 V	6 A	-
230 V	-	0.25 A
24 V	-	4 A

#### Short circuit protection

6 AgL/gG DIAZED fuse

#### Mechanical data

##### Switching point tolerance

± 0.5 mm depending on the actuator

##### Switching force tolerance

± 1 N

##### Repeat accuracy

± 0.1 mm

##### Mechanical service life

> 1 million operating cycles

##### Max. frequency of operation

1,800 operating cycles/h

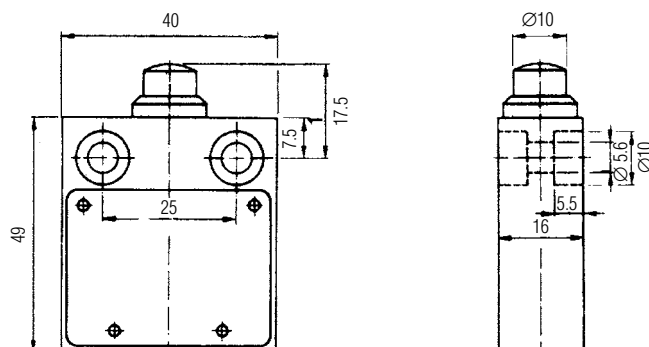
##### Vibration resistance

10 g at 10 to 2,000 Hz

##### Impact resistance/shock resistance

50 g at a shock duration of 6 ms

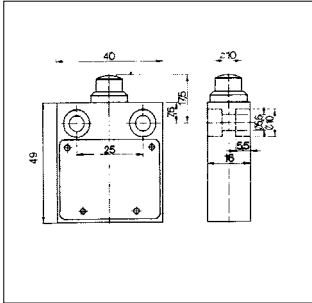
### Dimensions



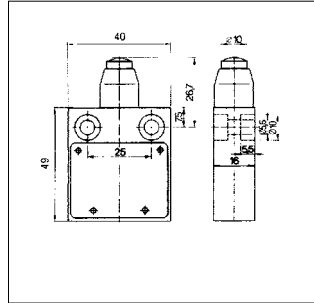


Selection chart

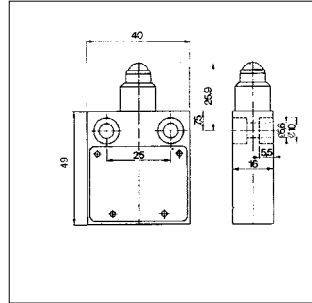
Plunger  
07-2961-1.62/01



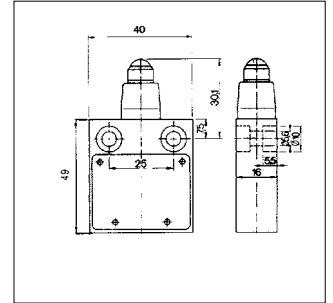
Membrane plunger  
07-2961-1.62/02



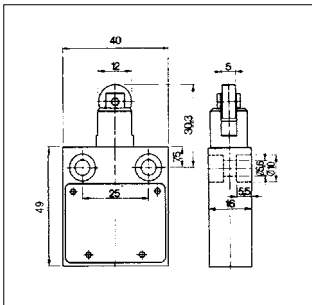
Spherical plunger  
07-2961-1.62/03



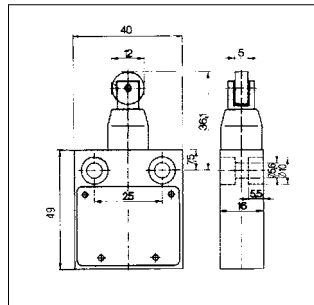
Spherical membrane plunger  
07-2961-1.62/04



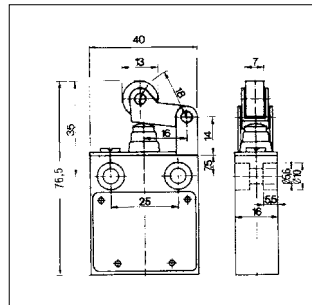
Roller plunger  
07-2961-1.62/09



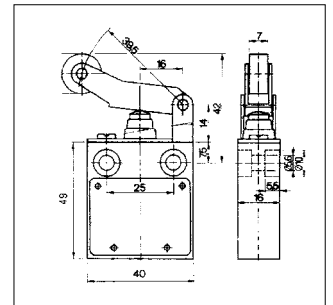
Membrane roller plunger  
07-2961-1.62/10



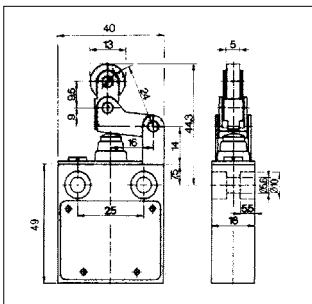
Membrane roller lever  
07-2961-1.62/14



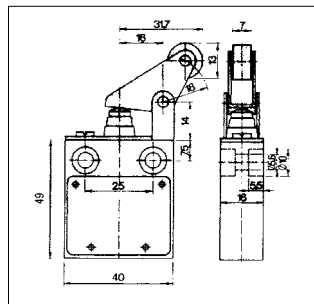
Membrane roller lever, long  
07-2961-1.62/16



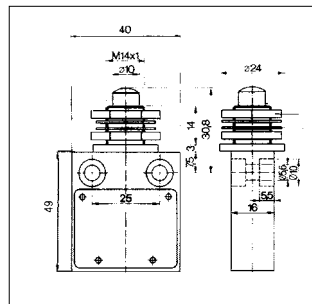
Membrane roller toggle lever  
07-2961-1.62/18



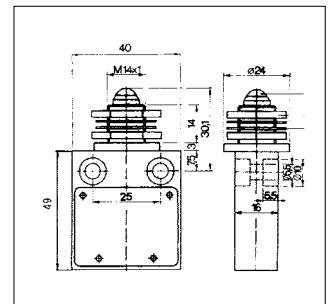
Parallel roller lever  
07-2961-1.62/20



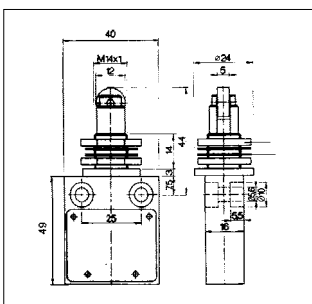
Front mounting/dome plunger  
07-2961-1.62/47



Front mounting/spherical plunger  
07-2961-1.62/49



Front mounting/roller lever  
07-2961-1.62/51



➔ **Complete order no.** 07-2961-1  62/

Please enter code number.  
Technical data subject to change without notice.

Cable length	
3 m	3
5 m	5
10 m	0

**Actuator**

Contact travel diagram

