



## Mini-terminal

### Features

- Multi-conductor connection max. 2 x 1 mm<sup>2</sup>
- Operating temperature -55 °C to +120 °C
- Extremely robust
- Tried and tested a million times over
- For base and rail mounting
- Bridging is possible
- Clip-on markers

### Description

#### Ex e I/II mini-terminal

The mini terminal allows conductors to be connected in hazardous areas.

In order to protect from mechanical damage, touch, dust and moisture, Ex terminals must be installed in increased safety type "e" enclosures.

BARTEC mini-terminals are available as 2 and 3-pole terminals which can be mounted in a row.

The clearances and creepage distances allow the terminals to be mounted directly on metal.

Each individual terminal pole is marked with a number or symbol by a clip-on label.

2 and 3-pole bridges are available for cross connection terminals.

#### Ex I/II mini-terminals for intrinsically safe circuits

The design of the blue mini-terminal is the same as that of the Ex e I/II mini-terminal and is tested in the same way, too.

### Explosion protection

#### Ex protection type

ATEX II 2G Ex eb IIC  
 I M2 Ex eb I

#### Certification

PTB 99 ATEX 3117 U

IECEX Ex eb IIC  
Ex eb I

#### Certification

IECEX PTB 07.0007 U

#### Further approvals

UL, CSA, NEPSI, GOST

Other approvals and certificates, see [www.bartec-group.com](http://www.bartec-group.com)

Min. ambient temperature  
-55 °C

Max. operating temperature  
+120 °C

### Technical data

#### Rated voltage

max. 440 V bei UL (CSA:300 V)

#### Rated current

max. 23 A bei UL (CSA: 16 A)

#### Rated cross-section

2.5 mm<sup>2</sup> (single-, fine- and multi-stranded)  
bei UL (CSA: AWG 24 - 14)

#### Connection of several conductors of the same cross section and type

max. 2 x 1 mm<sup>2</sup>

#### Operating temperature range

-55 °C to +120 °C

#### Material

Insulation	duroplast
Terminal	copper alloy

#### Bridge

2 and 3-pole bridge

#### Labelling

plug-in label

#### Weight

2-pole: 13 g  
3-pole: 19 g

#### Mounting

BARTEC mounting rail or base of enclosure

#### Contact spacing

11 mm

#### Tightening torque for clamp screw

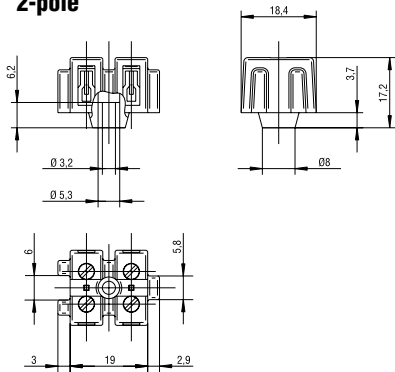
(EN 60999-1: 2000, TAB 4, III)

für clamp screw = 0.4 Nm  
bei UL (CSA: 3.5 lb. in.)

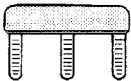
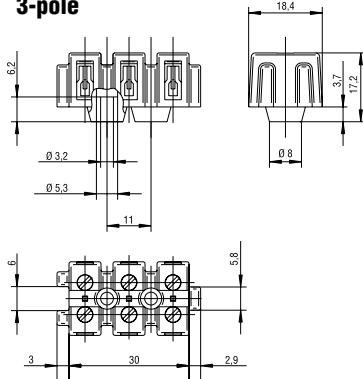
for screw and washer assembly  
for fixation = 0.6 Nm  
bei UL (CSA: 5.3 lb. in.)



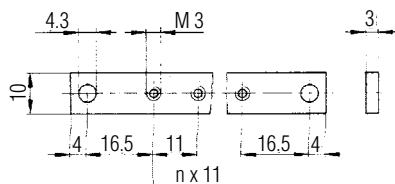
**2-pole**



**3-pole**



Similar to DIN EN ISO 1207  
(DIN 84)



**Selection chart**

		Order no.
<b>Mini terminal 2-pole, Ex e, grey*</b> <b>Mini terminal 2-pole, blue*</b>		<b>07-9702-0220/1</b> <b>07-9702-0220/2</b>
<b>Mini terminal 3-pole, Ex e, grey*</b> <b>Mini terminal 3-pole, blue*</b>		<b>07-9702-0320/1</b> <b>07-9702-0320/2</b>
<b>2-pole bridge</b>		<b>05-0120-0004</b>
<b>3-pole bridge</b>		<b>05-0120-0005</b>
<b>Rotation stop for base mounting</b> required when a single 2-pole terminal is mounted		<b>05-0010-0002</b>
<b>Rotation stop for rail mounting</b> required when a single 2-pole terminal is mounted		<b>05-0106-0015</b>
<b>Label</b> not printed printed 0-99, A-Z, symbols on request 1 unit = 100 labels with the same markings		<b>05-1144-0001</b> <b>05-1144-0002</b>
<b>Screw combination, M3</b> unit 100 pieces		l = 11 mm l = 12 mm l = 15 mm <b>03-1830-0001</b> <b>03-1830-0004</b> <b>03-1830-0005</b>
<b>Mounting rail</b> 3 x 10 mm or 5 x 10 mm		<b>on request</b>