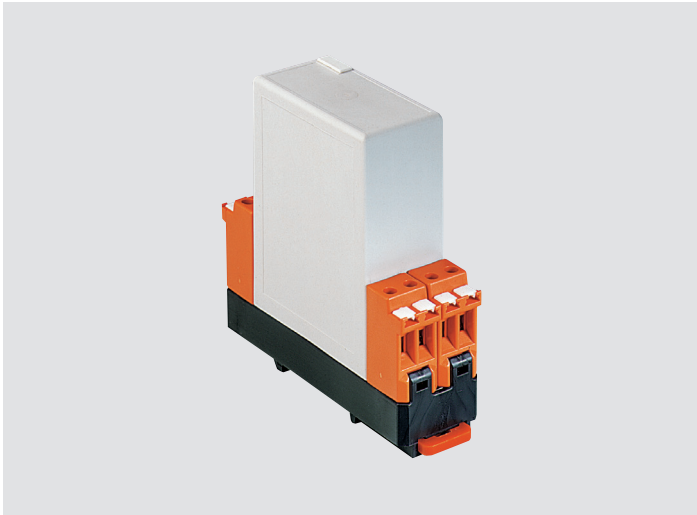


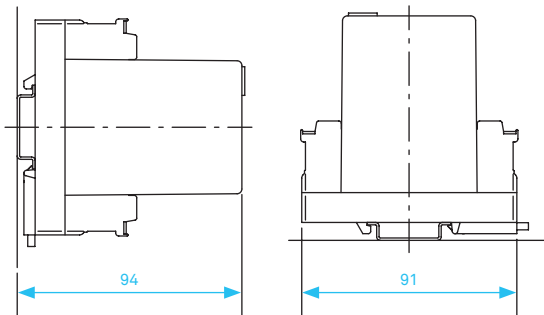
Overvoltage protection



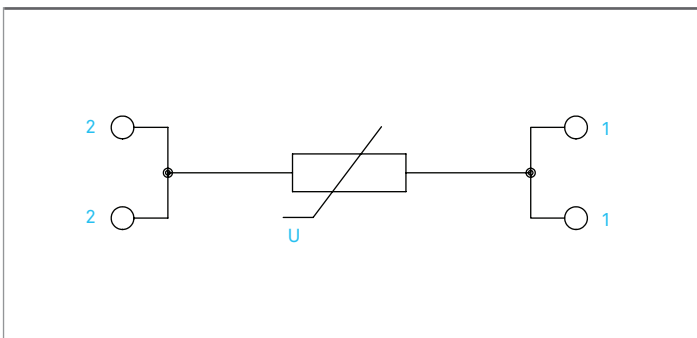
Due to the increasing automation of functions and processes, it is necessary to install the usual protective devices on site. Overvoltage protection modules are required to protect devices and circuits even in potentially explosive atmospheres. Control and regulation components offer the advantage here of being explosion-protected in a housing with integrated double terminals.

Dimensions/mounting positions

Module width: 30 mm



Wiring diagram/terminal assignment



Explosion protection

Marking ATEX	Ⓔ II 2G Ex db e IIC Gb Ⓔ I M2 Ex db e I Mb
Certification	PTB 97 ATEX 1068 U
Marking IECEX	Ex db e IIC Gb Ex db e I Mb
Certification	IECEX PTB 11.0083U
Marking CSA	Class I, Zone 1, IIC A/Ex d e IIC Gb
Certification	CSA 2011-2484303U

Other approvals and certificates see bartec.com

Technical data

Enclosure material	High-quality thermoplastic		
Protection class	Module	IP 66	EN/IEC 60529
	Terminals	IP 20	EN/IEC 60529
Terminals	2.5 mm ² , fine stranded		
Mounting rail	TH 35 x 7.5 (15) EN/IEC 60715		
Labelling	one inscribable marking label		
Storage temperature	-40 °C to +60 °C at T4		
Ambient temperature	-40 °C bis +70 °C		
Weight	0.250 kg		

Electrical data see ordering information

Nominal voltage	275 V AC / 350 V DC
Varistor	Type: S20 K 275 Temperature monitored
RC Element	1K / 100 nF

Order No.

07-7311-93GU/K000