

ESACS - ESXCS

aluminium and stainless steel ex-de push button stations



Installation

hazardous areas - Zone 1 / 2 (Gases) - Zone 21 / 22 (Dusts)

Classification

Group II - Category 2G 2D

Reference standards

Directive 2014/34/EU	
Execution	II 2 G Ex db e IIB or IIC T6 ÷ T3 Gb II 2 D Ex tb IIIC T85°C ÷ T200°C Db
Rules of compliance	EN/IEC 60079-0; EN/IEC 60079-1; EN/IEC 60079-7; EN/IEC 60079-11; EN/IEC 60079-18; EN/IEC 60079-31
EU Type-Examination Certificate	INERIS 02 ATEX 0067X
Protection degree	IP66
Ambient temperature	-60 °C ÷ +60 °C
Other available certificates	Component: INERIS 13 ATEX 9028U IECEX: IECEX INE11.0016 INMETRO: CEPEL 12.2159 RUSSIAN MARINE CERTIFICATE (RMRS): 19.02521.280 NEC 505: UL 20141112-E465037 Type rating NEMA 1, 12, 4 and 4X

Mechanical characteristics - ESACS

Body	marine grade copper free aluminium light alloy
Cover	marine grade copper free aluminium light alloy
Screws	stainless steel
Internal plate	aluminium
Gasket	silicon rubber
Strength	4 Joule impact resistance

Mechanical characteristics - ESXCS

Body	stainless steel AISI 316L sp. 1,5mm
Cover	stainless steel AISI 316L sp. 1,5mm
Screws	stainless steel AISI 316L
Internal plate	stainless steel AISI 316L
Gasket	silicon
Strength	4 Joule impact resistance

On Request Accessories

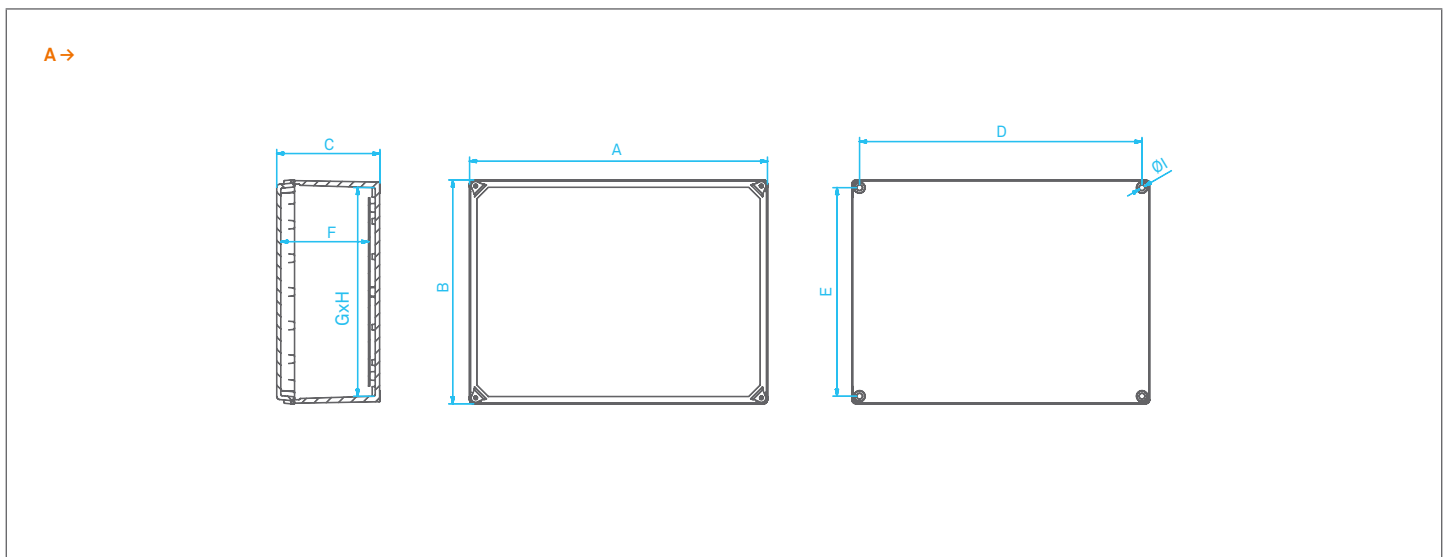
- External epoxy painting with colour on request
- Internal anticondensate painting orange RAL 2004 (ESX)
- Drain and breather valves
- Removable flanges (only stainless steel enclosures)



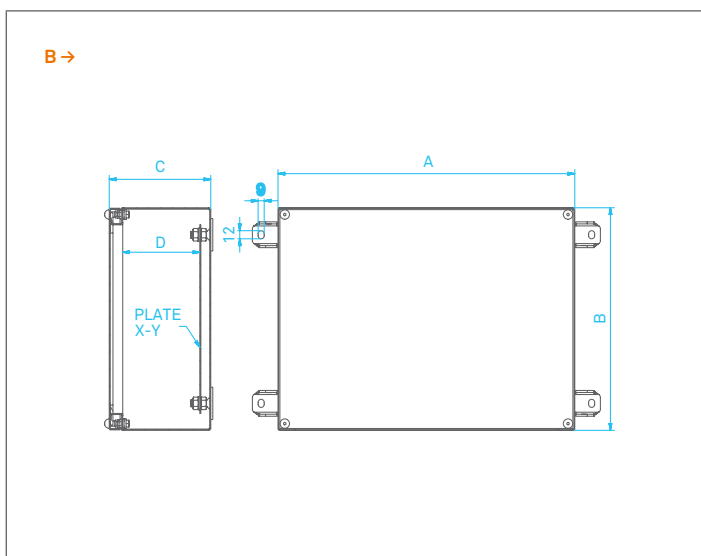
Technical features

Enclosure code	A [mm]	B [mm]	C [mm]	D [mm]	E [mm]	F [mm]	G [mm]	H [mm]	I [mm]	Int.Pl. Plate X - Y [mm]	Weight [kg]	Detail
ESA1313	130	130	87	115	115	70	112	112	6	110 - 70	1,20	A
ESA1717	170	170	97	155	155	81	151	151	6	150 - 150	1,50	A
ESA2216	220	160	96	205	145	80	141	201	6	200 - 100	3,80	A
ESA2222	220	220	112	205	205	95	201	201	6	200 - 200	4,40	A
ESA3322	330	220	123	310	200	103	201	311	8	294 - 154	6,40	A
ESA3333	330	330	131	310	310	111	311	311	8	290 - 290	8,80	A
ESA4433	440	330	154	420	310	131	311	421	8	400 - 290	11,40	A
ESA5242	520	420	183	496	394	159	398	499	8	460 - 370	20,20	A
ESA6348	630	480	181	615	465	156	459	609	8	550 - 400	21,30	A

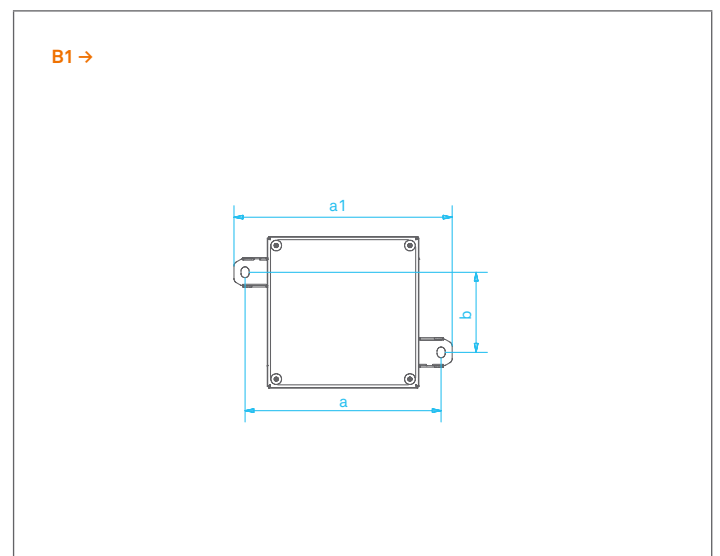
Reference details



Reference details



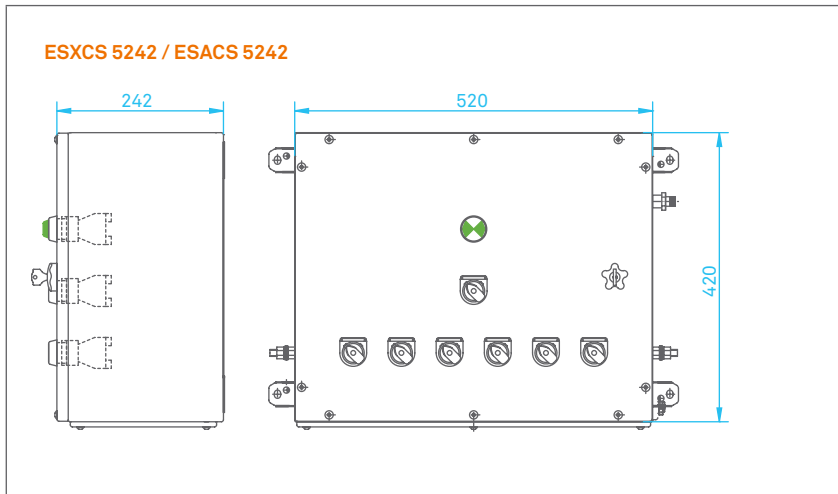
Reference details



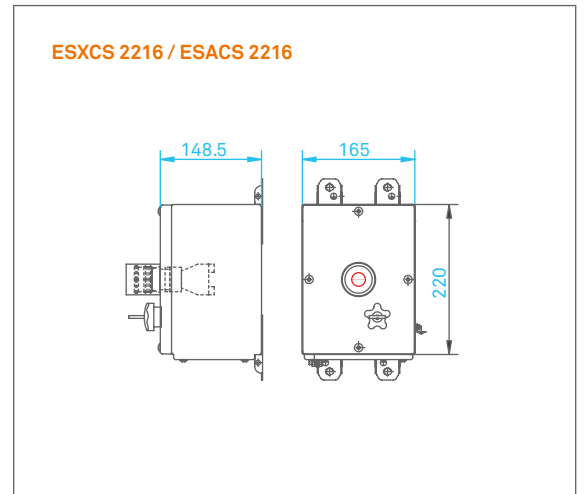
Technical Features - ESXCS

Type	Long side		Short side		Height		Long side flange	Short side flange	Type of closing	Accessories	Fixing lugs	Internal height	Plate X-Y	Wight	Detail
	A [mm]	B [mm]	Type	B [mm]	Type	B [mm]						D [mm]	[mm]	[kg]	
013	130	013	130	B	90							55	80-80	1,50	B1
017	170	017	170	B	90							55	120-120	2,00	B1
022	220	016	165	A	150	0	0	CSS	O T P	O K		115	170-115	4,00	B
		022	220	A	150	1	1	CVL			115	170-170	4,50		
033	330	022	220	A	150	2	2	CVC			115	280-170	5,50	B	
		033	330	A	150	3	3	SHL			115	280-280	7,50	B	
040	400	040	400	D	200	4	4	SHC			165	350-350	8,50	B	
044	440	033	330	A	150	5	5	PKL			115	390-280	9,00	B	
052	520	042	420	D	200	6	6	PKL	165	470-370	12,50	B			
063	630	048	480	D	200							165	580-430	16,50	B
150	1500	110	1100	G	900							865	1450-1050	145	B
200	2000	180	1800	H	600							565	1950-1750	215	B

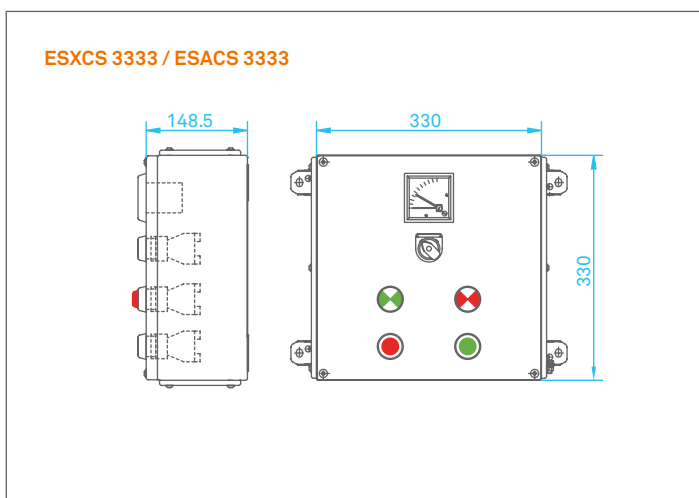
Typical installation



Typical installation



Typical installation



REMARK:
Due to the development of the national and international specifications and of the technology, the above technical characteristics showed on this bulletin can be considered as binding on our confirmation only.