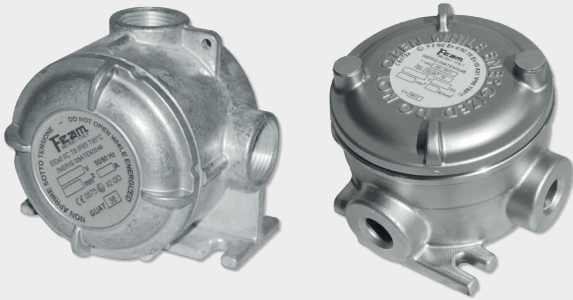


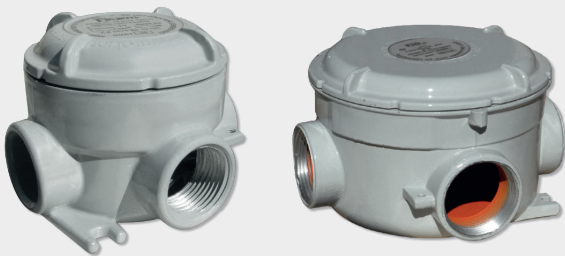
GUA - EAHF

Junction and pulling boxes

EAHF and GUA INX →



GUA →



Installation

hazardous areas - Zone 1 / 2 (Gases) - Zone 21 / 22 (Dusts)

Classification

Group II - Category 2G 2D

Reference standards

Directive 2014/34/EU	
Execution	ⓧ II 2 G Ex db IIC T6...T3 Gb ⓧ II 2 G Ex eb IIC T5...T3 Gb ⓧ II 2 D Ex tb IIIC T85° C...T200° C Db
Rules of compliance	EN/IEC 60079-0; EN/IEC 60079-1; EN/IEC 60079-7; EN/IEC 60079-31
EU Type-Examination Certificate	INERIS 03 ATEX 0048X
Protection degree	IP66
Ambient temperature	-60 °C ÷ +130 °C
Other available certificates	ATEX Component: INERIS 10 ATEX 9005U IECEx: IECEx INE 12.0021X IECEx Component: IECEx INE 12.0023U INMETRO: CEPEL 12.2193X Component INMETRO: CEPEL 12.2191U RUSSIAN MARINE CERTIFICATE (RMRS): 19.02521.280 UL NEC-505: 20130808-E353501 (GUA / GUAY Series) ECASEx: 23-06-22481/Q23-06-048569/NB0002 KC: in progress CCOE-PESO: P575010 (Ex d), P578836 (Ex e)

Mechanical characteristics

Body	marine grade copper free aluminum - stainless steel AISI316L (size 17/27/37 only)
Cover	marine grade copper free aluminum - stainless steel AISI316L (size 17/27/37 only)
Screws	stainless steel
Gaskets	O-Ring sealing NBR

On Request Accessories

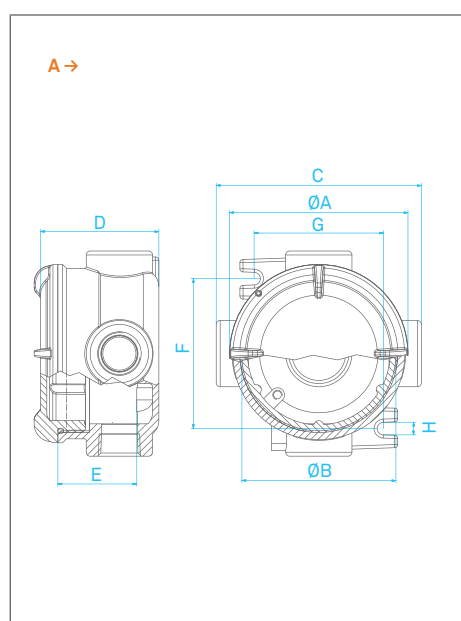
- External epoxy painting with colour on request
- Internal anticondensate painting orange RAL-2004
- Cast Iron on request



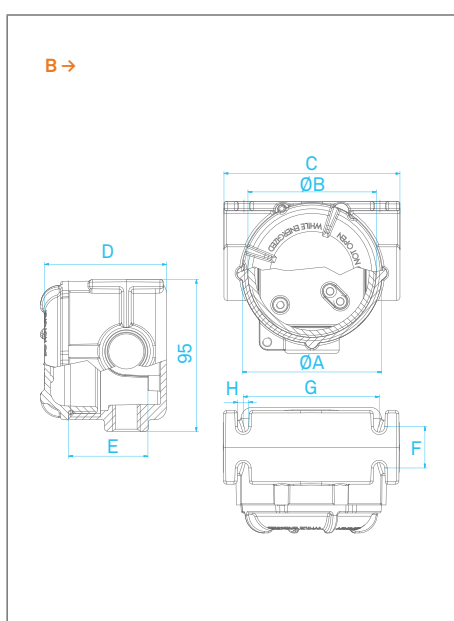
Technical Features

Code	Ø A [mm]	Ø B [mm]	C [mm]	D [mm]	E [mm]	F [mm]	G [mm]	H [mm]	Weight [kg]	Detail
GUA...16	87	77	100	75	40	70	70	7	0,60	A
GUA...17	113	100	130	79	50	95	82	9	0,90	A
GUA...26	87	77	100	75	40	70	70	7	0,60	A
GUA...27	113	100	130	79	50	95	82	9	0,90	A
GUA...36	87	77	100	75	40	70	70	7	0,60	A
GUA...37	113	100	130	79	50	95	82	9	0,90	A
GUA...59	154	135	169	110	75	100	130	7,5	1,30	A
GUA...69	154	135	169	110	75	100	130	7,5	1,30	A
GUAY59	154	135	169	110	75	155	80	9	1,30	C
EAHF26	87	77	110	76	50	26	85	7	0,50	B

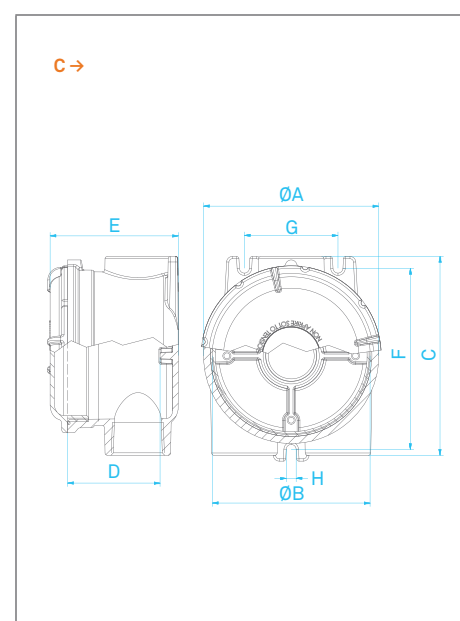
Reference details




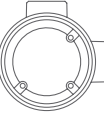
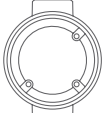
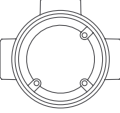
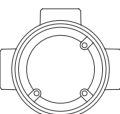
Reference details

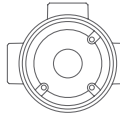

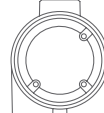

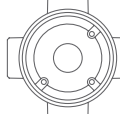


Reference details



Hubs arrangement

Reference details	Complete code	Hubs size
GUAB... 	GUAB...16	2 x 1/2"
	GUAB...17	2 x 1/2"
	GUAB...26	2 x 3/4"
	GUAB...27	2 x 3/4"
	GUAB...36	2 x 1"
	GUAB...37	2 x 1"
	GUAB...59	2 x 1-1/2"
	GUAB...69	2 x 2"
GUAL... 	GUAL...16	2 x 1/2"
	GUAL...17	2 x 1/2"
	GUAL...26	2 x 3/4"
	GUAL...27	2 x 3/4"
	GUAL...36	2 x 1"
	GUAL...37	2 x 1"
	GUAL...59	2 x 1-1/2"
	GUAL...69	2 x 2"
GUAC... 	GUAC...16	2 x 1/2"
	GUAC...17	2 x 1/2"
	GUAC...26	2 x 3/4"
	GUAC...27	2 x 3/4"
	GUAC...36	2 x 1"
	GUAC...37	2 x 1"
	GUAC...59	2 x 1-1/2"
	GUAC...69	2 x 2"
GUAT... 	GUAT...16	3 x 1/2"
	GUAT...17	3 x 1/2"
	GUAT...26	2 x 3/4"
	GUAT...27	3 x 3/4"
	GUAT...36	3 x 1"
	GUAT...37	3 x 1"
	GUAT...59	3 x 1-1/2"
	GUAT...69	3 x 2"
GUAX... 	EAHF26	3 x 3/4"
	GUAX...16	4 x 1/2"
	GUAX...17	4 x 1/2"
	GUAX...26	4 x 3/4"
	GUAX...27	4 x 3/4"
	GUAX...36	4 x 1"
	GUAX...37	4 x 1"
	GUAX...59	4 x 1-1/2"
GUAX...69	4 x 2"	

Reference details	Complete code	Hubs size
GUAW... 	GUAW...16	4 x 1/2"
	GUAW...17	4 x 1/2"
	GUAW...26	4 x 3/4"
	GUAW...27	4 x 3/4"
	GUAW...36	4 x 1"
	GUAW...37	4 x 1"
	GUAW...59	4 x 1-1/2"
	GUAW...69	4 x 2"
GUAD... 	GUAD...16	3 x 1/2"
	GUAD...17	3 x 1/2"
	GUAD...26	3 x 3/4"
	GUAD...27	3 x 3/4"
	GUAD...36	3 x 1"
	GUAD...37	3 x 1"
	GUAD...59	3 x 1-1/2"
	GUAD...69	3 x 2"
GUAY... 	GUAY59	3 x 1-1/2"
GUAM... 	GUAM...16	3 x 1/2"
	GUAM...17	3 x 1/2"
	GUAM...26	3 x 3/4"
	GUAM...27	3 x 3/4"
	GUAM...36	3 x 1"
	GUAM...37	3 x 1"
	GUAM...59	3 x 1-1/2"
	GUAM...69	3 x 2"
GUAJ... 	GUAJ...16	5 x 1/2"
	GUAJ...17	5 x 1/2"
	GUAJ...26	5 x 3/4"
	GUAJ...27	5 x 3/4"
	GUAJ...36	5 x 1"
	GUAJ...37	5 x 1"
	GUAJ...59	5 x 1-1/2"
	GUAJ...69	5 x 2"

REMARK:

Due to the development of the national and international specifications and of the technology, the above technical characteristics showed on this bulletin can be considered as binding on our confirmation only.