

SFLA LED

Floodlights for LED lamps



Installation

hazardous areas - Zone 2 (Gases) - Zone 22 (Dusts)

Classification

Group II - Category 3G 3D

Mechanical characteristics

Body	marine grade copper free aluminium
Diffuser	tempered front glass 4 mm
Support	adjustable type 3 mm thick shaped steel
Painting	external thermosetting polyester powder RAL-7039 colour
Screws	external stainless steel
Gaskets	silicon rubber
Cable entry	Dia. 20.5 mm

Electrical characteristics

Power Supply	220÷240 Vac electronic driver 50/60 Hz - input surge protection and over temperature protection
Lamp type	Samsung LH 181B - CRI>80 CCT 4000K Lifetime: 80.000 hours L80 B10 @ta 25, 50.000 hours L80 B20 @tamax
Internal Wiring	high-temperature resistant silicon rubber insulation cables
Terminals	suitable up to 4 mm ² cables
Optic	SM = without lens, maximum efficiency AS = with asymmetrical lens with vertex at 50deg

Reference standards

Directive 2014/34/EU	
Execution	Ⓜ II 3 G Ex ec IICT4 Gc Ⓜ II 3 D Ex tc IIIC T135 °C Dc
Rules of compliance	EN/IEC 60079-0; EN/IEC 60079-7; EN/IEC 60079-31
EC Type-Examination Certificate	INERIS 19 ATEX 3010X
Protection degree	IP66 (in accordance to IEC 60529)
Ambient temperature	-40 °C ÷ +60 °C
Other available certificates	IECEx: IECEx INE 19.0034X EAC: TC RU C-IT.BH02.B.00602 ECASEx: in progress

On Request Accessories

- External painting colour on request
- DALI dimmable driver and output reduction midnight system
- CCT 2200/3000/5700 K
- Customized LED current drivers
- Additional optics

Technical data

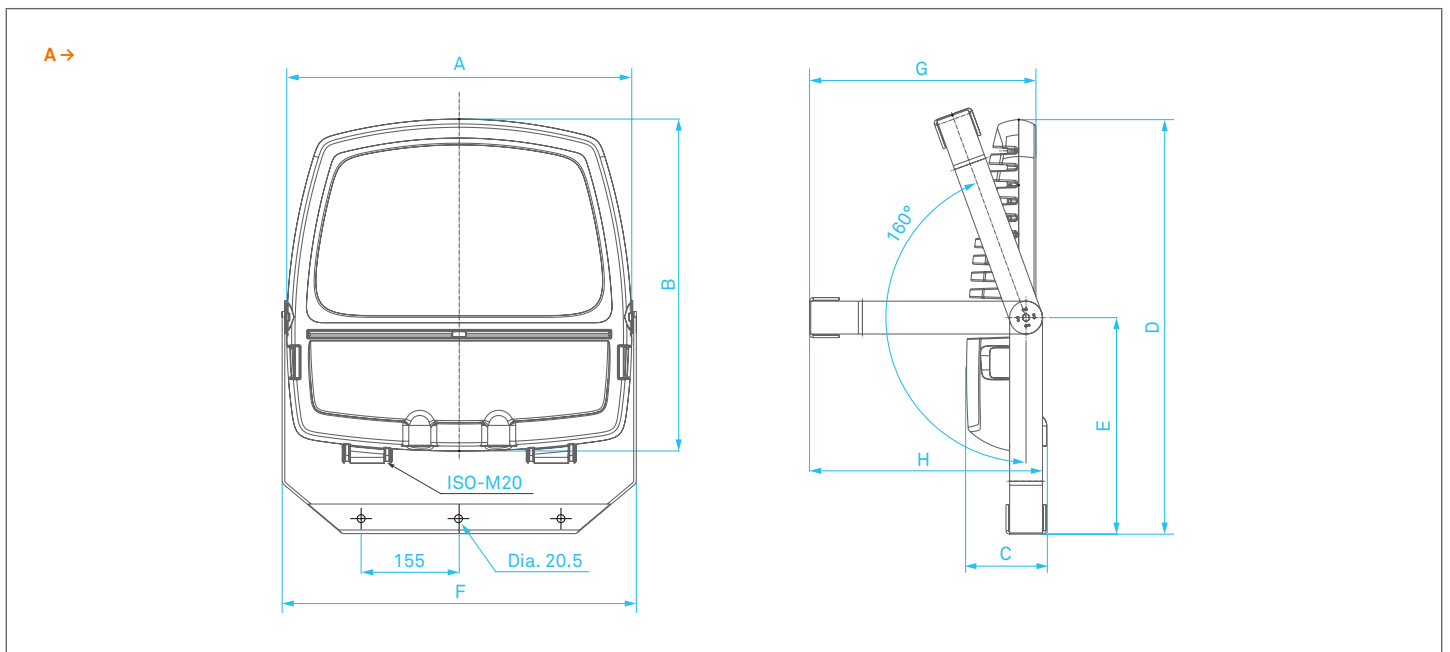
Code	Power lamp	Wiring	Temperature class (gas)	Temperature class (dusts)	Output typical (lm)	Output NET (lm)	Cable entry size	Detail
Floodlights for led lamp - power supply 220 ÷ 2 40v 50/60 hz								
SFLA-4160B	140 W	64 LED	T4 (Ta +60 °C)	T135 °C	20800	19035	1 X ISO-M20	A
SFLA-4161B								
SFLA-5200B	175 W	80 LED			26000	23790		
SFLA-5201B								
SFLA-6240B	210 W	96 LED			31200	28550		
SFLA-6241B								
SFLA-7280B	245 W	112 LED			36400	33310		
SFLA-7281B								
SFLA-8320B	280 W	128 LED			41600	38070		
SFLA-8321B								
SFLA-9360B	315 W	144 LED			46800	42825		
SFLA-9361B								

Optic beam: 0B=SM - without lens / 1B=AS - asymmetrical lens

Technical features

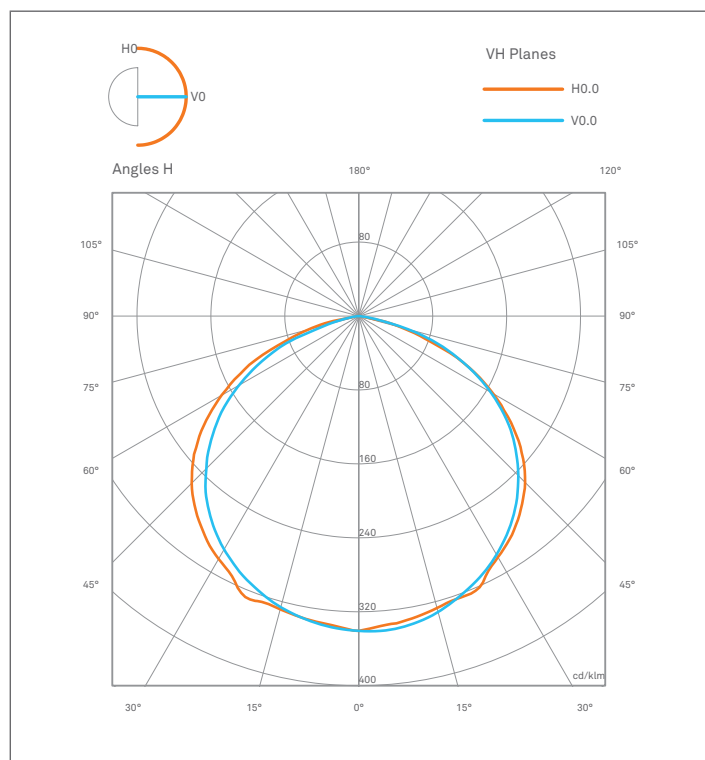
Code	A [mm]	B [mm]	C [mm]	D [mm]	E [mm]	F [mm]	G [mm]	H [mm]	Weight [kg]	Cable entry	Detail
SFLA-4160B	525	505	122	630,60	329	539	344	354	20,02	1 x ISO-M20	A
SFLA-4161B	525	505	122	630,60	329	539	344	354	20,07	1 x ISO-M20	A
SFLA-5200B	525	505	122	630,60	329	539	344	354	20,46	1 x ISO-M20	A
SFLA-5201B	525	505	122	630,60	329	539	344	354	20,52	1 x ISO-M20	A
SFLA-6240B	525	505	122	630,60	329	539	344	354	20,73	1 x ISO-M20	A
SFLA-6241B	525	505	122	630,60	329	539	344	354	20,80	1 x ISO-M20	A
SFLA-7280B	525	505	122	630,60	329	539	344	354	20,93	1 x ISO-M20	A
SFLA-7281B	525	505	122	630,60	329	539	344	354	21,01	1 x ISO-M20	A
SFLA-8320B	525	505	122	630,60	329	539	344	354	20,96	1 x ISO-M20	A
SFLA-8321B	525	505	122	630,60	329	539	344	354	21,05	1 x ISO-M20	A
SFLA-9360B	525	505	122	630,60	329	539	344	354	21,06	1 x ISO-M20	A
SFLA-9361B	525	505	122	630,60	329	539	344	354	21,22	1 x ISO-M20	A

Reference details



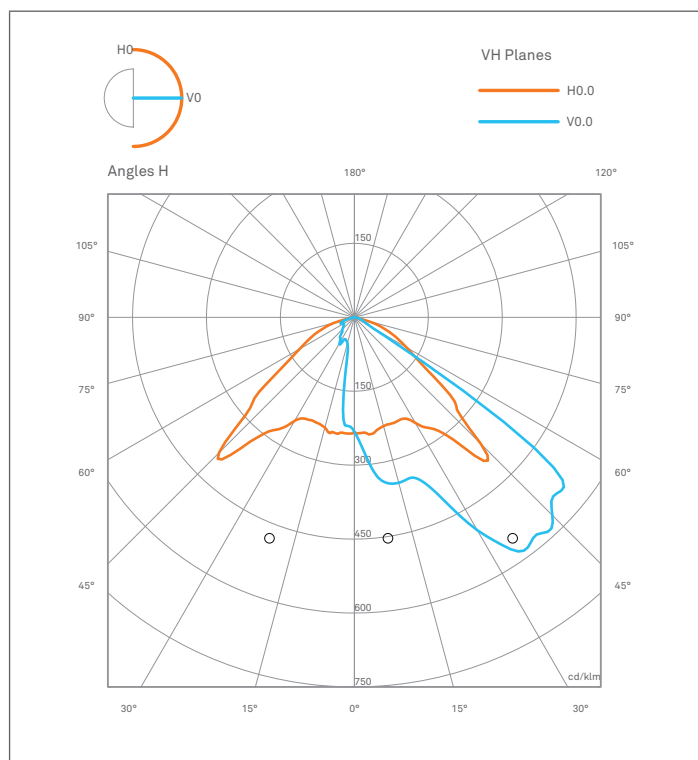
SFLA LED Polar diagrams - photometric data

SFLA-9360B



Luminaire Flux	42803.32 lm
Luminaire Power	315.00 W
Efficacy	135.88 lm//W
Lamps Flux	42825.00 lm
Maximum value	342.30 cd/klm
Position	H=2.50 V=-1.00
Efficiency	99,95%
VH Asymmetric	VH

SFLA-9361B



Luminaire Flux	41005.93 lm
Luminaire Power	315.00 W
Efficacy	130.18 lm/W
Lamps Flux	41030.00 lm
Maximum value	882.39 cd/klm
Position	H=35.00 V=37.00
Efficiency	99,94%
VH Asymmetric	VH

REMARK:

Due to the development of the national and international specifications and of the technology, the above technical characteristics showed on this bulletin can be considered as binding on our confirmation only.